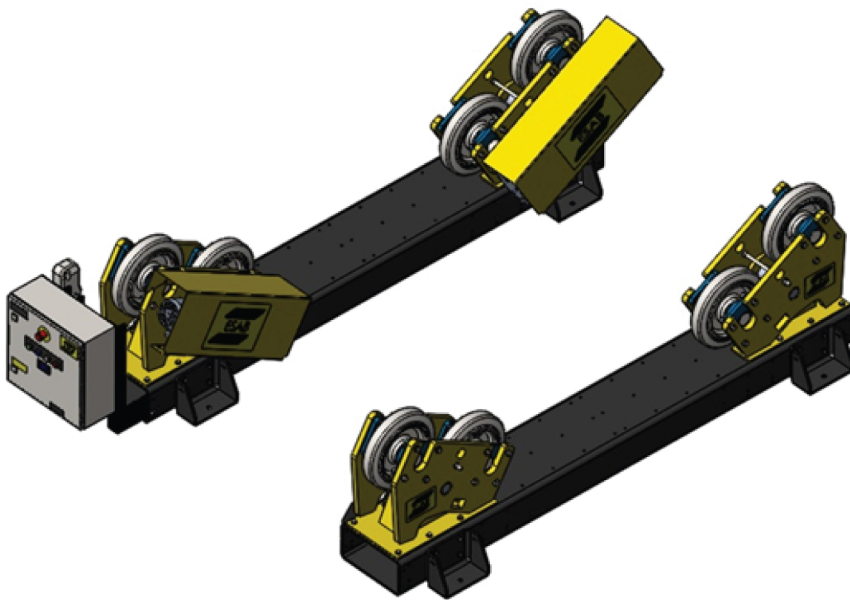




***ESD 7.5/ESI 7.5, ESD 15/ESI 15,
ESD 30/ESI 30, ESD 60/ESI 60,
ESD 90/ESI 90,
ESD 120/ESI 120
Self-aligning Roller Beds***



Instruction manual
Original instructions



EU DECLARATION OF CONFORMITY

According to
The Machinery Directive 2006/42/EC, entering into force 17 May 2006
The EMC Directive 2014/30/EU, entering into force 20 April 2016
The RoHS Directive 2011/65/EU, entering into force 2 January 2013

Type of equipment

Welding handling equipment, Self-aligning Roller Bed

Type designation

ESD 15, ESD 30, ESD 60, ESD 90, ESD 120 (Drive unit)	from serial number 015 xxx xxxx (2020 w15)
ESD 7.5, ESD 15, ESD 30, ESD 60, ESD 90, ESD 120 (Drive unit)	from s/n LX130 xxxx xxxx (2021 w30)
ESI 15, ESI 30, ESI 60, ESI 90, ESI 120 (Idler unit)	from serial number 015 xxx xxxx (2020 w15)
ESI 7.5, ESI 15, ESI 30, ESI 60, ESI 90, ESI 120 (Idler unit)	from s/n LX130 xxxx xxxx (2021 w30)

Brand name or trade mark

ESAB

Manufacturer or his authorised representative established within the EEA

Name, address, and telephone No:

ESAB AB Welding Automation
SE-69581 Laxå, Sweden
Phone: +46 (0)584 81000, www.esab.com

The following harmonised standard in force within the EEA has been used in the design:

EN 12100:2010	EN 61000-6-2:2019
EN 60204-1:2018	EN 61000-6-4:2019

Additional Information:

Restrictive use, Class A equipment, intended for use in location other than residential

By signing this document, the undersigned declares as manufacturer, or the manufacturer's authorised representative established within the EEA, that the equipment in question complies with the safety requirements stated above.

Date	Signature	Position
Gothenburg		
2023-03-13	Peter Kjällström	Director Welding Automation

CE 2023

1	SAFETY	5
1.1	Meaning of symbols	5
1.2	Non-compliant operation	5
1.3	Safety precautions	5
2	INTRODUCTION	8
2.1	Equipment	8
2.2	Purpose and function of roller beds	8
2.3	Terminology used in this manual	8
3	TECHNICAL DATA	9
3.1	ESD/ESI 7.5	9
3.1.1	Drive unit, ESD 7.5	9
3.1.2	Idler unit, ESI 7.5	10
3.2	ESD/ESI 15	11
3.2.1	Drive unit, ESD 15	11
3.2.2	Idler unit, ESI 15	12
3.3	ESD/ESI 30	13
3.3.1	Drive unit, ESD 30	13
3.3.2	Idler unit, ESI 30	14
3.4	ESD/ESI 60	15
3.4.1	Drive unit, ESD 60	15
3.4.2	Idler unit, ESI 60	16
3.5	ESD/ESI 90	17
3.5.1	Drive unit, ESD 90	17
3.5.2	Idler unit, ESI 90	18
3.6	ESD/ESI 120	19
3.6.1	Drive unit, ESD 120	19
3.6.2	Idler unit, ESI 120	20
4	INSTALLATION	21
4.1	Location	21
4.2	Lifting instructions	21
4.3	Adjusting the wheel stands	21
4.4	Adjusting the included angle	23
4.5	Installation procedure	23
4.6	PEK setup	24
4.7	Roller bed configurations	26
5	OPERATION	27
5.1	Roller bed details	27
5.2	Control panel	27
5.3	Wireless remote - control pendant	28
5.4	Switch the mains power on	29
5.5	Operating the roller beds	30
5.6	Operation safety	30
5.7	Synchronizing two or more roller beds	31
5.8	Welding	32

5.9	Stopping the roller beds	33
6	MAINTENANCE	34
6.1	General	34
6.2	Storage	34
6.3	Repair and maintenance	34
6.4	Cleaning	35
6.5	Breakdowns	35
6.6	Gearmotors	35
	6.6.1 Gearmotors inspection and maintenance	35
	6.6.2 Gearbox lubrication	35
6.7	Inverters	36
6.8	Bearings	36
6.9	PU wheels	36
7	TROUBLESHOOTING	38
7.1	Radio Frequency (RF) channels control system	39
7.2	Radio Frequency (RF) channels table	39
8	ORDERING SPARE PARTS	41
	WIRING DIAGRAM	42
	ORDERING NUMBERS	47
	ACCESSORIES	48
	SPARE PARTS	49
	SPARE PARTS - ESD 7.5 Mechanical parts list - Drive section	50
	SPARE PARTS - ESI 7.5 Mechanical parts list - Idler section	52
	SPARE PARTS - ESD 15 Mechanical parts list - Drive section	53
	SPARE PARTS - ESI 15 Mechanical parts list - Idler section	55
	SPARE PARTS - ESD 30 Mechanical parts list - Drive section	56
	SPARE PARTS - ESI 30 Mechanical parts list - Idler section	58
	SPARE PARTS - ESD 60 Mechanical parts list - Drive section	59
	SPARE PARTS - ESI 60 Mechanical parts list - Idler section	61
	SPARE PARTS - ESD 90 Mechanical parts list - Drive section	62
	SPARE PARTS - ESI 90 Mechanical parts list - Idler section	64
	SPARE PARTS - ESD 120 Mechanical parts list - Drive section	65
	SPARE PARTS - ESI 120 Mechanical parts list - Idler section	67
	SPARE PARTS - Electrical parts - Control cabinet	68
	SPARE PARTS - Control cabinet	69
	SPARE PARTS - Wireless control system	71

1 SAFETY

1.1 Meaning of symbols

As used throughout this manual: Means Attention! Be Alert!



DANGER!

Means immediate hazards which, if not avoided, will result in immediate, serious personal injury or loss of life.



WARNING!

Means potential hazards which could result in personal injury or loss of life.



CAUTION!

Means hazards which could result in minor personal injury.



WARNING!

Before use, read and understand the instruction manual and follow all labels, employer's safety practices and Safety Data Sheets (SDSs).



1.2 Non-compliant operation



CAUTION!

These roller beds are not suitable for the following:

- Any vessel which is heavier than the maximum weight limit of the roller beds.
- Any vessel that is larger/smaller than the maximum/minimum diameter that can be supported.
- If the roller beds have polyurethane or rubber tires Do not use on preheated vessels above 60 °C.

1.3 Safety precautions

Users of ESAB equipment have the ultimate responsibility for ensuring that anyone who works on or near the equipment observes all the relevant safety precautions. Safety precautions must meet the requirements that apply to this type of equipment. The following recommendations should be observed in addition to the standard regulations that apply to the workplace.

All work must be carried out by trained personnel well-acquainted with the operation of the equipment. Incorrect operation of the equipment may lead to hazardous situations which can result in injury to the operator and damage to the equipment.



WARNING!

Radio Frequency (RF) controlled system.

The driven roller bed is controlled from a wireless radio frequency (RF) control system.

Make sure that no other machines and/or equipments in the area for the installation are controlled within the same frequency band.

That may cause interference to the roller bed control system or vice versa, other equipment can be interfered from this RF controlled system.

The actual frequency channel is labeled on the receiver unit mounted behind the control cabinet. See chapter "7 TROUBLESHOOTING" for further information.

1. Anyone who uses the equipment must be familiar with:
 - its operation
 - location of emergency stops
 - its function
 - relevant safety precautions
 - welding and cutting or other applicable operation of the equipment
2. The operator must ensure that:
 - no unauthorised person is stationed within the working area of the equipment when it is started up
 - no-one is unprotected when the arc is struck or work is started with the equipment
3. The workplace must:
 - be suitable for the purpose
 - be free from drafts
4. Personal safety equipment:
 - Always wear recommended personal safety equipment, such as safety glasses, flame-proof clothing, safety gloves
 - Do not wear loose-fitting items, such as scarves, bracelets, rings, etc., which could become trapped or cause burns
5. General precautions:
 - Make sure the return cable is connected securely
 - Work on high voltage equipment **may only be carried out by a qualified electrician**
 - Appropriate fire extinguishing equipment must be clearly marked and close at hand
 - Lubrication and maintenance must **not** be carried out on the equipment during operation



WARNING!

Arc welding and cutting can be injurious to yourself and others. Take precautions when welding and cutting.



ELECTRIC SHOCK - Can kill

- Do not touch live electrical parts or electrodes with bare skin, wet gloves or wet clothing
- Insulate yourself from work and ground.
- Ensure your working position is safe



ELECTRIC AND MAGNETIC FIELDS - Can be dangerous to health

- Welders having pacemakers should consult their physician before welding. EMF may interfere with some pacemakers.
- Exposure to EMF may have other health effects which are unknown.
- Welders should use the following procedures to minimize exposure to EMF:
 - Route the electrode and work cables together on the same side of your body. Secure them with tape when possible. Do not place your body between the torch and work cables. Never coil the torch or work cable around your body. Keep welding power source and cables as far away from your body as possible.
 - Connect the work cable to the workpiece as close as possible to the area being welded.



FUMES AND GASES - Can be dangerous to health

- Keep your head out of the fumes
- Use ventilation, extraction at the arc, or both, to take fumes and gases away from your breathing zone and the general area



ARC RAYS - Can injure eyes and burn skin

- Protect your eyes and body. Use the correct welding screen and filter lens and wear protective clothing
- Protect bystanders with suitable screens or curtains



NOISE - Excessive noise can damage hearing

Protect your ears. Use earmuffs or other hearing protection.



MOVING PARTS - Can cause injuries

- Keep all doors, panels and covers closed and securely in place. Have only qualified people remove covers for maintenance and troubleshooting as necessary. Reinstall panels or covers and close doors when service is finished and before starting the roller beds.



- Stop the roller beds before installing or connecting unit.
- Keep hands, hair, loose clothing and tools away from moving parts.



FIRE HAZARD

- Sparks (spatter) can cause fire. Make sure therefore that there are no inflammable materials nearby



HOT SURFACE - Parts can burn

- Do not touch parts bare handed.
- Allow cooling period before working on equipment.
- To handle hot parts, use proper tools and/or insulated welding gloves to prevent burns.

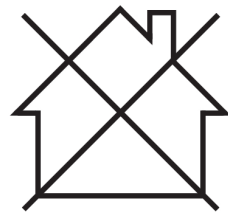
MALFUNCTION - Call for expert assistance in the event of malfunction.

PROTECT YOURSELF AND OTHERS!



CAUTION!

Class A equipment is not intended for use in residential locations where the electrical power is provided by the public low-voltage supply system. There may be potential difficulties in ensuring electromagnetic compatibility of class A equipment in those locations, due to conducted as well as radiated disturbances.



NOTE!

Dispose of electronic equipment at the recycling facility!

In observance of European Directive 2012/19/EC on Waste Electrical and Electronic Equipment and its implementation in accordance with national law, electrical and/or electronic equipment that has reached the end of its life must be disposed of at a recycling facility.

As the person responsible for the equipment, it is your responsibility to obtain information on approved collection stations.

For further information contact the nearest ESAB dealer.



ESAB has an assortment of welding accessories and personal protection equipment for purchase. For ordering information contact your local ESAB dealer or visit us on our website.

2 INTRODUCTION

This Instruction manual describes the use and maintenance of the self-aligning roller beds, referred to as roller beds in this document. Actions that must be carried out by the manufacturer are not included in this manual.

This manual is part of the roller beds. Keep a copy of the manual with the roller beds and the original in a safe place. If the roller beds are sold, supply the manual with it.

The pictures and diagrams used in this manual are for illustrative purposes only to help explain instructions in the text. The equipment supplied may differ slightly.

2.1 Equipment

The roller bed drive is supplied with:

- Drive units
- Mounted control cabinet
- Wireless remote - control pendant
- Base frame
- Instruction manual

The roller bed idler is supplied with:

- Idler units
- Base frame

2.2 Purpose and function of roller beds

The roller beds are designed to aid the welding of cylindrical vessels.

By using the independent drive and idler units, vessels of varying lengths can be placed on the roller beds supported on the roller bed wheels. The wheels can be adjusted on the base frame to accommodate different vessel diameters.

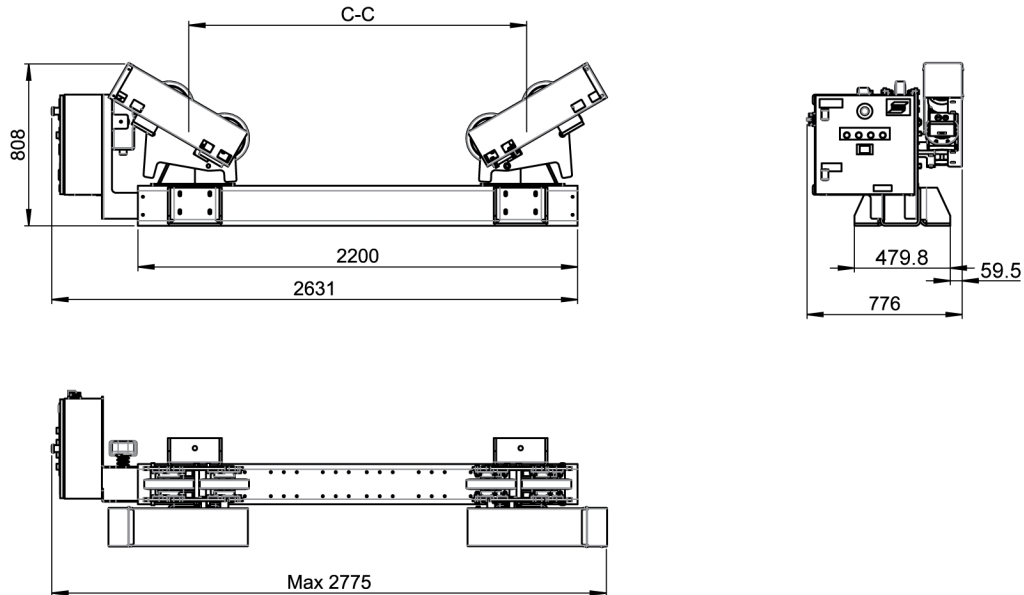
2.3 Terminology used in this manual

Drive unit	Roller bed section with powered wheels.
Idler unit	Roller bed section with freewheeling wheels.
Roller bed set	A set consists of one drive unit and one or more idler units.
Base frame	The frame the drive or idler wheels are mounted on. These are pre-drilled so that the wheel stands can be positioned for different vessel diameters.
Wheel stand	The stand which houses the roller bed wheels. This is bolted down to the baseframe.
Control panel	Electrical control box mounted on the drive unit.
Wireless remote - control pendant	A wireless operator hand control pendant.
Receiver	The receiver that communicates with the wireless remote-control pendant.
Vessel	Any component or device that is handled on the roller bed set.

3 TECHNICAL DATA

3.1 ESD/ESI 7.5

3.1.1 Drive unit, ESD 7.5

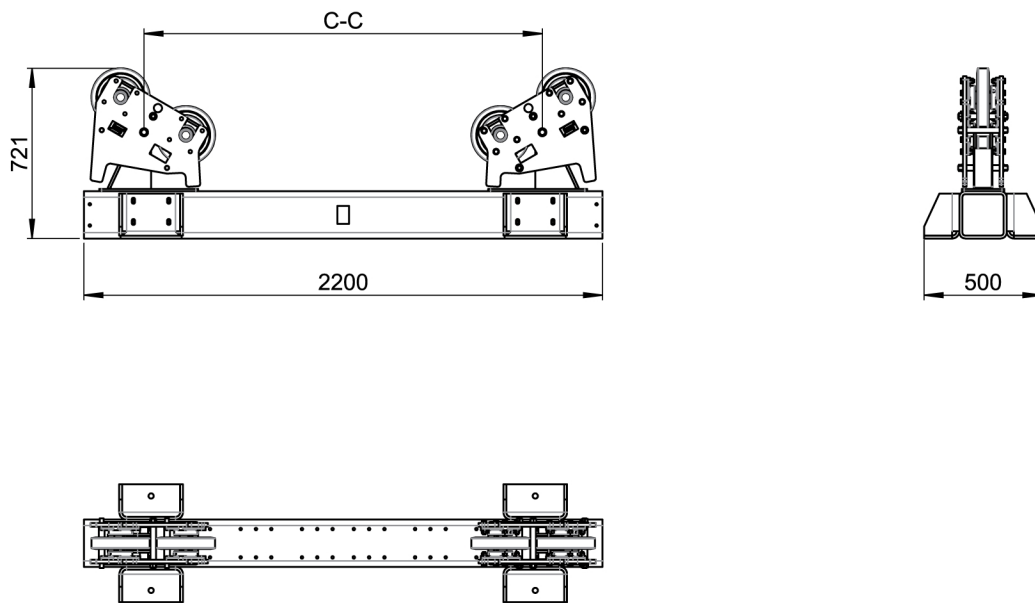


ESD 7.5	
Max loading capacity	3750 kg (8269 lb)
Turning capacity	11250 kg (24806 lb)
Turning drive motor	2×0.25 kW
Turning speed	150–1500 mm/min (5.91–59.05 in./min)
Workpiece diameter minimum	Ø950 mm (37.40 in.) at 60° included angle
Workpiece diameter maximum	Ø4000 mm (157.48 in.) at 45° included angle
Mains supply	380–440 V, 3 phase, 50 Hz
Mains fuse	16 A
Roller type	Polyurethane (90 °C / 92 °A Shore)
Roller width / diameter	50 / 247 mm (1.97 / 9.72 in.)
Dimensions (L × W × H)	2775 × 776 × 808 mm (116.4 × 31.89 × 31.8 in.)
C-C	650, 910, 1170, 1430, 1690 mm (25.59, 35.83, 46.06, 56.30, 66.54 in.)
Weight	550 kg (1213 lb)
Wireless remote - control pendant	Wireless
Control voltage	24 V
Operation temperature	-15 to +40 °C (53.5 to 104 °F)
PEK settings, ESD 7.5	
Gear 1 N1:N2	100:1

3 TECHNICAL DATA

Gear 2 N1:N2	10:1
Gear 3 N1:N2	1:1
Wheel diameter	400 mm (15.75 in.)
High manual speed	200 cm/min (78.75 in./min)
Frequency ratio N1	50 Hz
Frequency ratio N2	50 Hz
Max motor rpm	1592

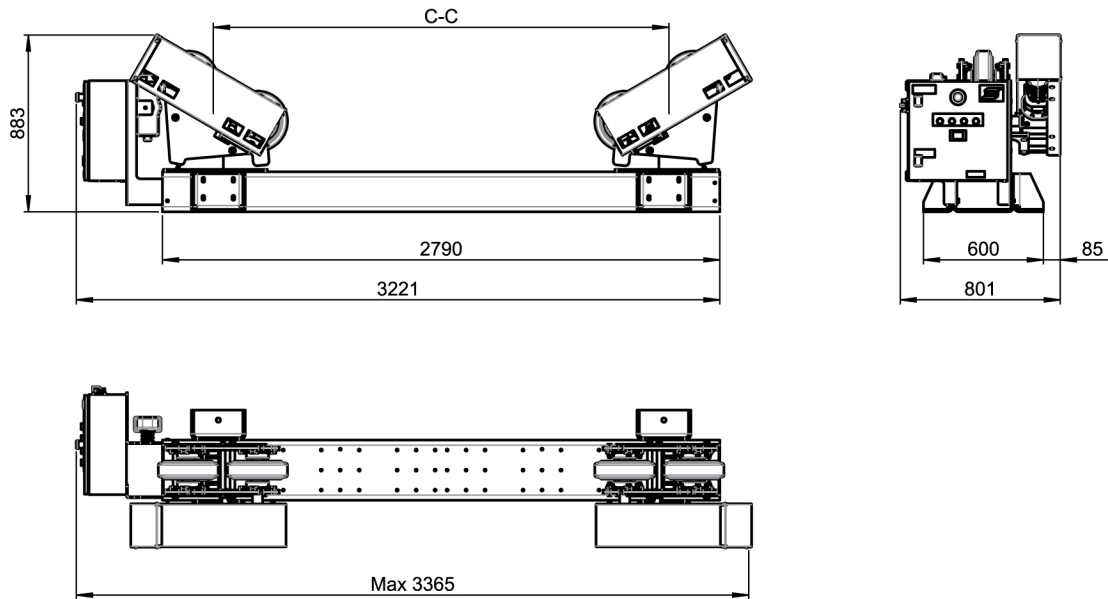
3.1.2 Idler unit, ESI 7.5



ESI 7.5	
Max loading capacity	3750 kg (8269 lb)
Roller type	Polyurethane (90 °C / 92 °A Shore)
Roller width / diameter	50 / 247 mm (1.97 / 9.72 in.)
Dimensions (L × W × H)	2200 × 500 × 721 mm (86.61 × 19.69 × 28.39 in.)
C-C	650, 910, 1170, 1430, 1690 mm (25.59, 35.83, 46.06, 56.30, 66.54 in.)
Weight	400 kg (882 lb)

3.2 ESD/ESI 15

3.2.1 Drive unit, ESD 15



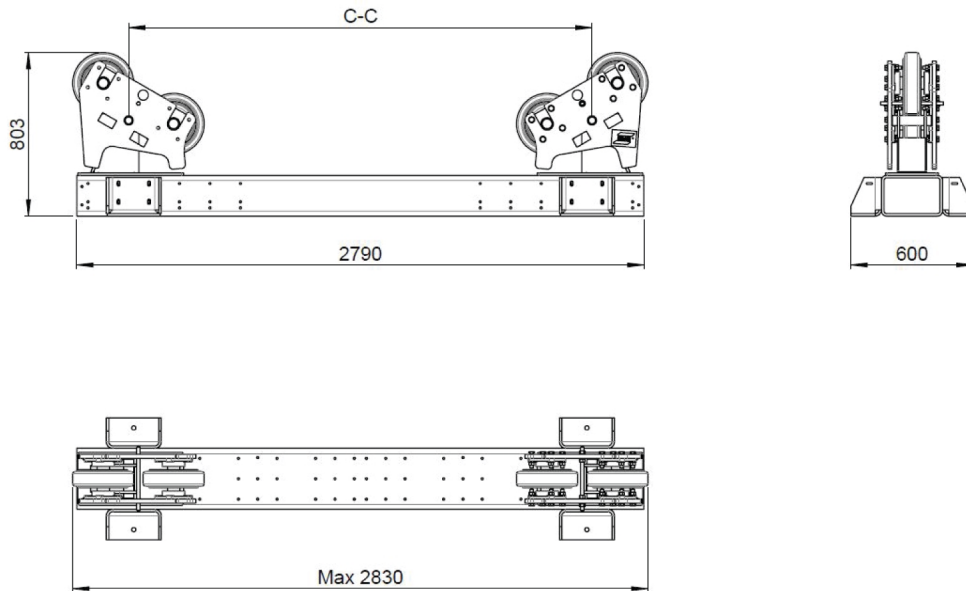
ESD 15	
Max loading capacity	7500 kg (16535 lb)
Turning capacity	22500 kg (49604 lb)
Turning drive motor	2×0.18 kW
Turning speed	200-2000 mm/min (5.51-78.74 in./min)
Workpiece diameter minimum	Ø1090 mm (42.91 in.) at 60° included angle
Workpiece diameter maximum	Ø5400 mm (212.60 in.) at 45° included angle
Mains supply	380-440 V, 3 phase, 50 Hz
Mains fuse	16 A
Roller type	Polyurethane (90 °C / 92 °A Shore)
Roller width / diameter	90 mm (3.54 in.) / 300 mm (11.81 in.)
Dimensions (L × W × H)	3365 × 801 × 883 mm (132.5 × 31.5 × 34.76 in.)
C-C	760, 1140, 1520, 1900, 2280 mm (29.92, 44.88, 59.84, 74.8, 89.76 in.)
Weight	700 kg (1544 lb)
Wireless remote - control pendant	Wireless
Control voltage	24 V
Operation temperature	-15 to +40 °C

PEK settings, ESD 15	
Gear 1 N1:N2	100:1
Gear 2 N1:N2	10:1
Gear 3 N1:N2	1:1
Wheel diameter	400 mm

3 TECHNICAL DATA

High manual speed	200 cm/min
Frequency ratio N1	50 Hz
Frequency ratio N2	50 Hz
Max motor rpm	1592

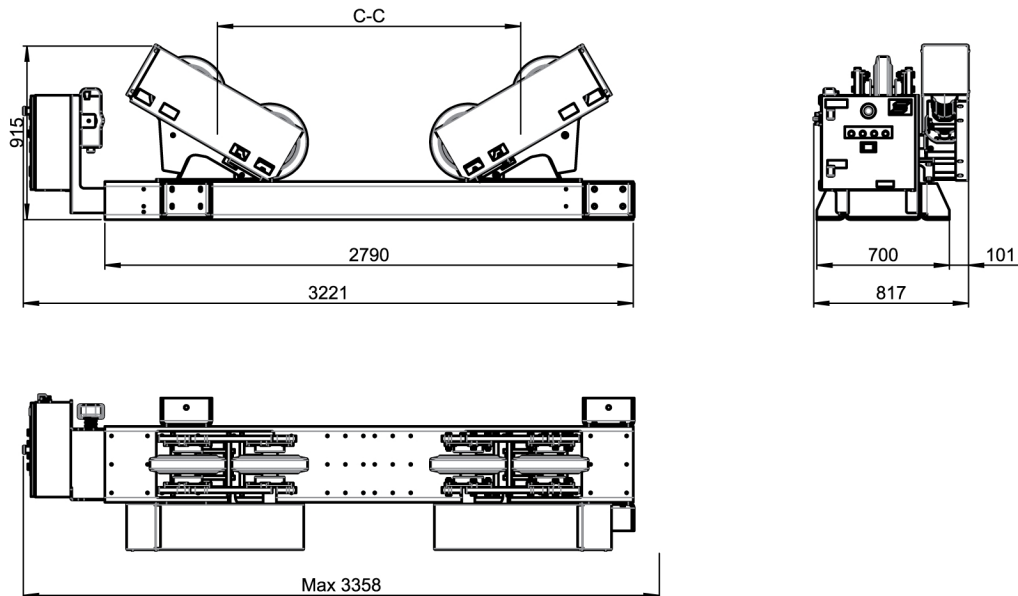
3.2.2 Idler unit, ESI 15



ESI 15	
Max loading capacity	7500 kg (16535 lb)
Roller type	Polyurethane (90 °C / 92 °A Shore)
Roller width / diameter	90 mm (3.54 in.) / 300 mm (11.81 in.)
Dimensions (L × W × H)	2830 × 600 × 803 mm (111.42 × 23.62 × 31.61 in.)
C - C	760, 1140, 1520, 1900, 2280 mm (29.92, 44.88, 59.84, 74.8, 89.76 in.)
Weight	600 kg (1323 lb)

3.3 ESD/ESI 30

3.3.1 Drive unit, ESD 30



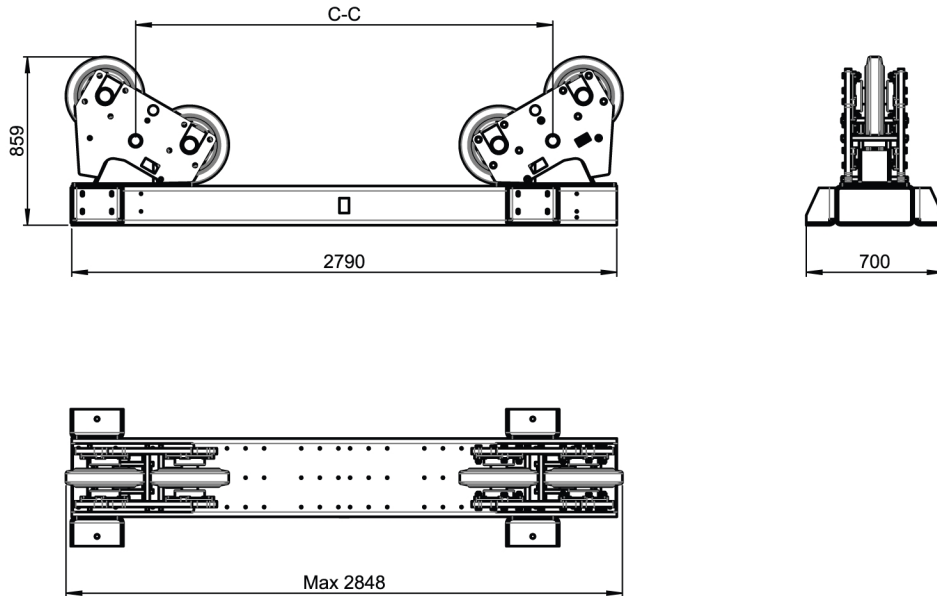
ESD 30	
Max loading capacity	15000 kg (33069 lb)
Turning capacity	45000 kg (99208 lb)
Turning drive motor	2×0.37 kW
Turning speed	200-2000 mm/min (5.51-78.74 in./min)
Workpiece diameter minimum	Ø1420 mm (55.91 in.) at 60° included angle
Workpiece diameter maximum	Ø4900 mm (192.92 in.) at 45° included angle
Mains supply	380-440 V, 3 phase, 50 Hz
Mains fuse	16 A
Roller type	Polyurethane (90 °C / 92 °A Shore)
Roller width / diameter	90 mm (3.54 in.) / 400 mm (15.74 in.)
Dimensions (L × W × H)	3358 × 817 × 915 mm (132.2 × 32.2 × 36.0 in.)
C-C	995, 1375, 1755, 2135 mm (39.17, 54.12, 69.09, 84.06 in.)
Weight	1100 kg (2426 lb)
Wireless remote - control pendant	Wireless
Control voltage	24 V
Operation temperature	-15 to +40 °C

PEK settings, ESD 30	
Gear 1 N1:N2	100:1
Gear 2 N1:N2	10:1
Gear 3 N1:N2	1:1
Wheel diameter	400 mm

3 TECHNICAL DATA

High manual speed	200 cm/min
Frequency ratio N1	50 Hz
Frequency ratio N2	50 Hz
Max motor rpm	1592

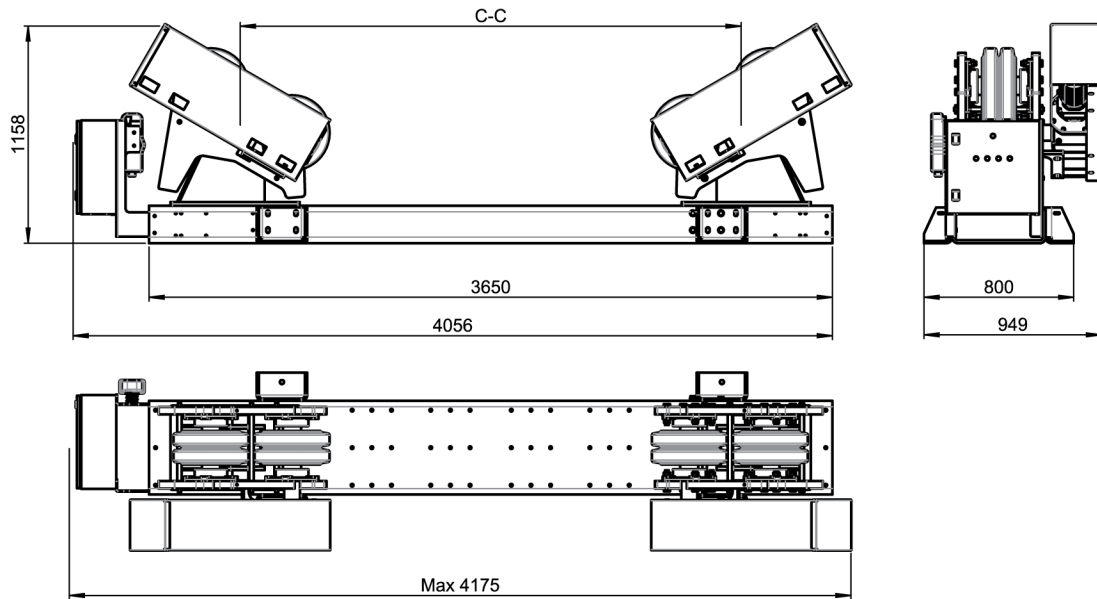
3.3.2 Idler unit, ESI 30



ESI 30	
Max loading capacity	15000 kg (33069 lb)
Roller type	Polyurethane (90 °C / 92 °A Shore)
Roller width / diameter	90 mm (3.54 in.) / 400 mm (15.74 in.)
Dimensions (L × W × H)	2848 × 700 × 859 mm (112.1 × 27.6 × 33.8 in.)
C-C	995, 1375, 1755, 2135 mm (39.17, 54.12, 69.09, 84.06 in.)
Weight	850 kg (1874 lb)

3.4 ESD/ESI 60

3.4.1 Drive unit, ESD 60



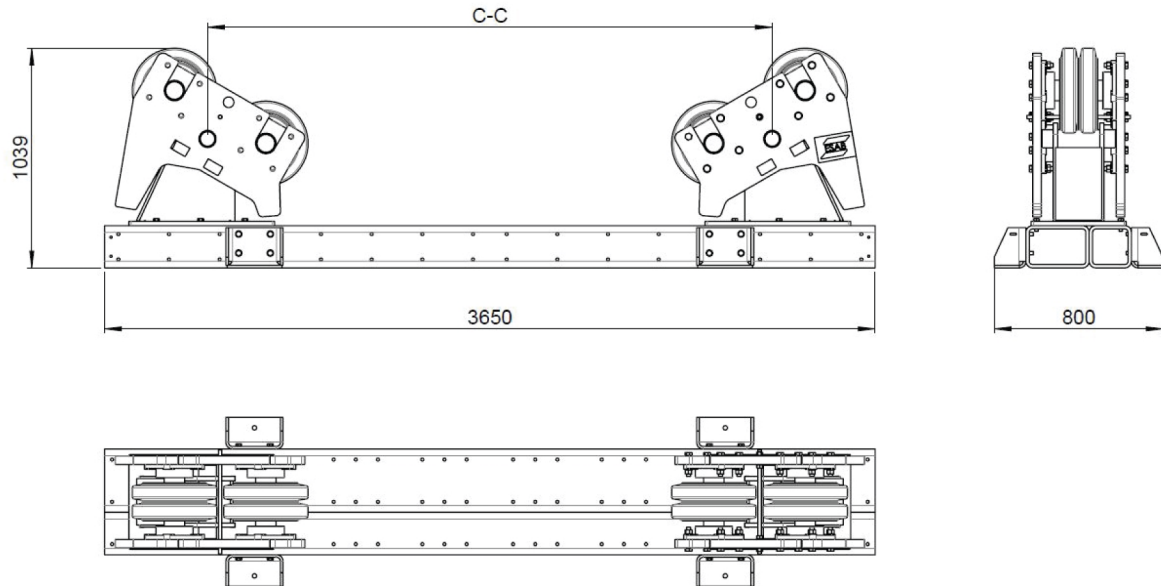
ESD 60	
Max loading capacity	30000 kg (66139 lb)
Turning capacity	90000 kg (198416 lb)
Turning drive motor	2×0.75 kW
Turning speed	200-2000 mm/min (5.51-78.74 in./min)
Workpiece diameter minimum	Ø1420 mm (55.91 in.) at 60° included angle
Workpiece diameter maximum	Ø6300 mm (248.03 in.) at 45° included angle
Mains supply	380-440 V, 3 phase, 50 Hz
Mains fuse	16 A
Roller type	Polyurethane (90 °C / 92 °A Shore)
Roller width / diameter	2×90 mm (2×3.54 in.) / 400 mm (15.74 in.)
Dimensions (L × W × H)	4175 × 949 × 1158 mm (164.4 × 37.4 × 45.59 in.)
C-C	995, 1415, 1835, 2255, 2675 mm (39.17, 55.71, 72,24, 88.78, 105.31 in.)
Weight	2000 kg (4410 lb)
Wireless remote - control pendant	Wireless
Control voltage	24 V
Operation temperature	-15 to +40 °C

PEK settings, ESD 60	
Gear 1 N1:N2	100:1
Gear 2 N1:N2	10:1
Gear 3 N1:N2	1:1
Wheel diameter	580 mm

3 TECHNICAL DATA

High manual speed	200 cm/min
Frequency ratio N1	50 Hz
Frequency ratio N2	50 Hz
Max motor rpm	1098

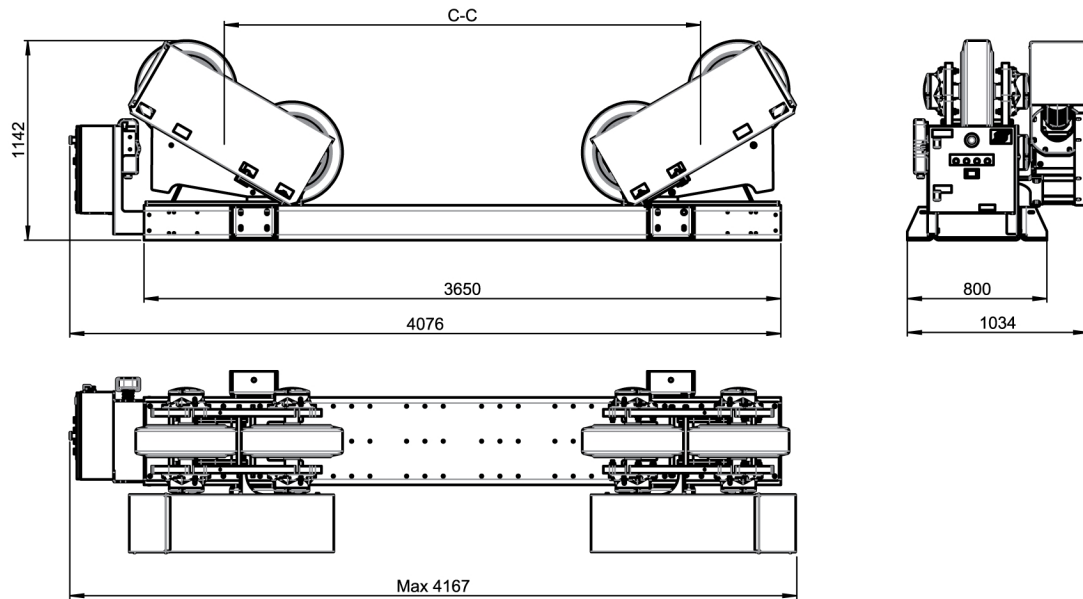
3.4.2 Idler unit, ESI 60



ESI 60	
Max loading capacity	30000 kg (66139 lb)
Roller type	Polyurethane (90 °C / 92 °A Shore)
Roller width / diameter	2×90 mm (2×3.54 in.) / 400 mm (15.74 in.)
Dimensions (L × W × H)	3650 × 800 × 1039 mm (143.7 × 31.5 × 40.91 in.)
C-C	995, 1415, 1835, 2255, 2675 mm (39.17, 55.71, 72,24, 88.78, 105.31 in.)
Weight	1700 kg (3749 lb)

3.5 ESD/ESI 90

3.5.1 Drive unit, ESD 90



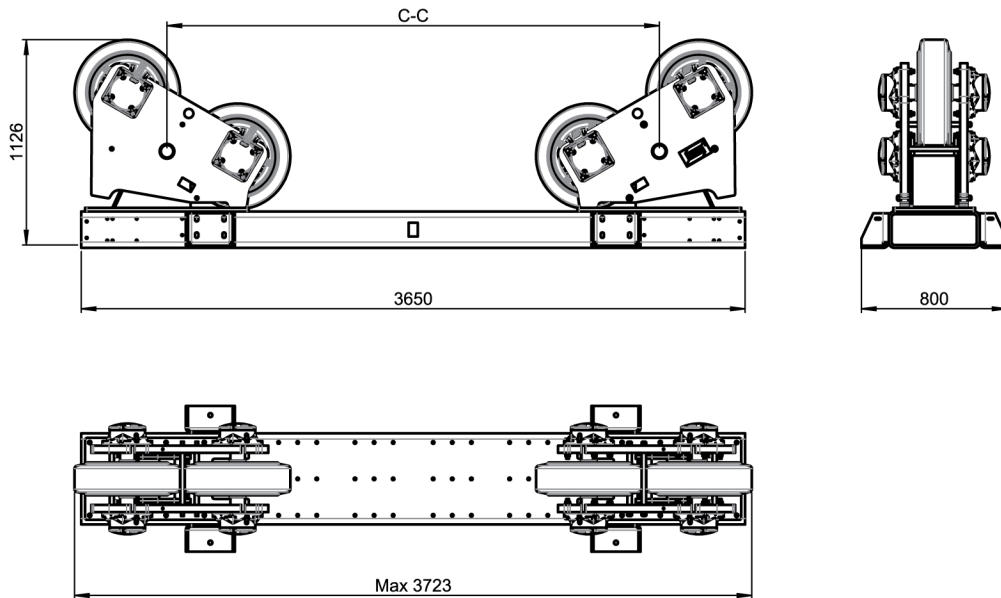
ESD 90	
Max loading capacity	45000 kg (66139 lb)
Turning capacity	135000 kg (297624 lb)
Turning drive motor	2×1.0 kW
Turning speed	200-2000 mm/min (5.51-78.74 in./min)
Workpiece diameter minimum	Ø2120 mm (83.46 in.) at 60° included angle
Workpiece diameter maximum	Ø6200 mm (244.09 in.) at 45° included angle
Mains supply	380-440 V, 3 phase, 50 Hz
Mains fuse	16 A
Roller type	Polyurethane (90 °C / 92 °A Shore)
Roller width / diameter	180 mm (7.09 in.) / 580 mm (22.83 in.)
Dimensions (L × W × H)	4167 × 1034 × 1142 mm (164.1 × 40.71 × 44.96 in.)
C-C	1470, 1890, 2310, 2730 mm (57.87, 74.41, 90.94, 107.48 in.)
Weight	2550 kg (5623 lb)
Wireless remote - control pendant	Wireless
Control voltage	24 V
Operation temperature	-15 to +40 °C

PEK settings, ESD 90	
Gear 1 N1:N2	100:1
Gear 2 N1:N2	10:1
Gear 3 N1:N2	1:1
Wheel diameter	580 mm

3 TECHNICAL DATA

High manual speed	200 cm/min
Frequency ratio N1	50 Hz
Frequency ratio N2	50 Hz
Max motor rpm	1098

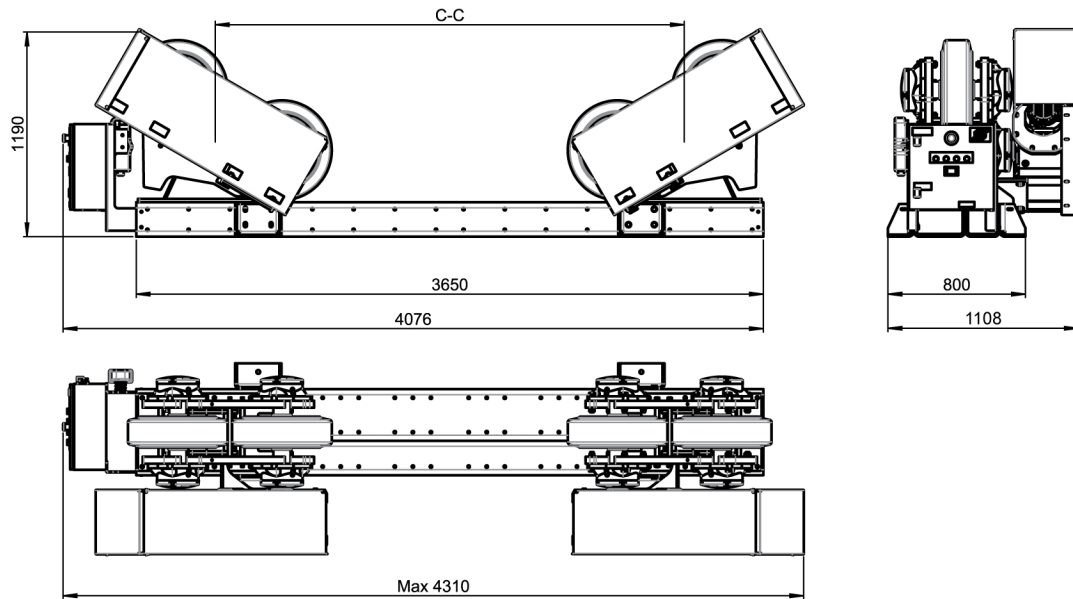
3.5.2 Idler unit, ESI 90



ESI 90	
Max loading capacity	45000 kg (99208 lb)
Roller type	Polyurethane (90 °C / 92 °A Shore)
Roller width / diameter	180 mm (7.09 in.) / 580 mm (22.83 in.)
Dimensions (L × W × H)	3723 × 800 × 1126 mm (146.6 × 31.5 × 44.33 in.)
C-C	1470, 1890, 2310, 2730 mm (57.87, 74.41, 90.94, 107.48 in.)
Weight	2100 kg (4631 lb)

3.6 ESD/ESI 120

3.6.1 Drive unit, ESD 120



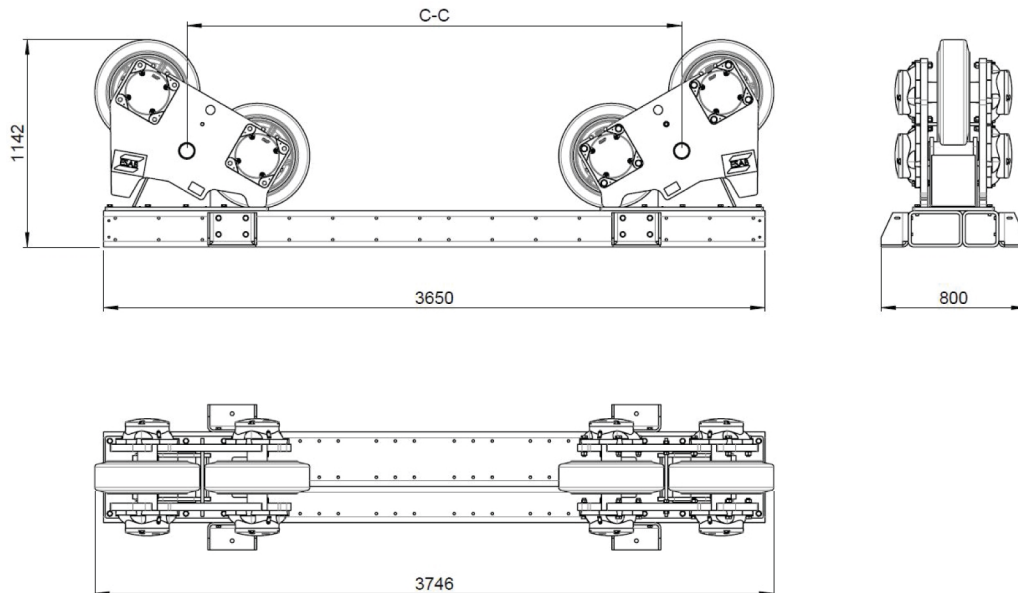
ESD 120	
Max loading capacity	60000 kg (132277 lb)
Turning capacity	180000 kg (396832 lb)
Turning drive motor	2×1.5 kW
Turning speed	200-2000 mm/min (7.87-78.74 in./min)
Workpiece diameter minimum	Ø2120 mm (83.46 in.) at 60° included angle
Workpiece diameter maximum	Ø6200 mm (244.09 in.) at 45° included angle
Mains supply	380-440 V, 3 phase, 50 Hz
Mains fuse	16 A
Roller type	Polyurethane (90 °C / 92 °A Shore)
Roller width / diameter	180 mm (7.08 in.) / 580 mm (22.83 in.)
Dimensions (L × W × H)	4310 × 1108 × 1190 mm (169.7 × 43.62 × 46.85 in.)
C-C	1470, 1890, 2310, 2730 mm (57.87, 74.41, 90.94, 107.48 in.)
Weight	3000 kg (6615 lb)
Wireless remote - control pendant	Wireless
Control voltage	24 V
Operation temperature	-15 to +40 °C

PEK settings, ESD 120	
Gear 1 N1:N2	100:1
Gear 2 N1:N2	10:1
Gear 3 N1:N2	1:1
Wheel diameter	580 mm

3 TECHNICAL DATA

High manual speed	200 cm/min
Frequency ratio N1	50 Hz
Frequency ratio N2	50 Hz
Max motor rpm	1098

3.6.2 Idler unit, ESI 120



ESI 120	
Max loading capacity	60000 kg (132277 lb)
Roller type	Polyurethane (90 °C / 92 °A Shore)
Roller width / diameter	180 mm (7.08 in.) / 580 mm (22.83 in.)
Dimensions (L × W × H)	3746 × 800 × 1142 mm (147.48 × 31.50 × 44.96 in.)
C-C	1470, 1890, 2310, 2730 mm (57.87, 74.41, 90.94, 107.48 in.)
Weight	2350 kg (5182 lb)

4 INSTALLATION

4.1 Location


WARNING!

Always ensure that there is sufficient space around the roller beds.

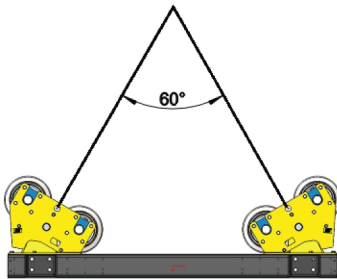
Make sure to have suitable access and enough space around the roller beds, including the vessel when loaded. Position it to allow unhindered loading and unloading of vessels onto the roller beds by overhead crane or other lifting devices

4.2 Lifting instructions

Use correctly rated overhead cranes or forklift trucks to move the roller beds.

Lifting by crane

The roller beds can be lifted by using the lifting points on the roller bed wheel stands. Use one lifting point on each side of the wheel stand, 4 lifting points in all. The recommended angle between the chain and the lifting points on the roller beds is 60°.



Place the roller beds on a smooth, level, hard floor that is capable of taking the weight of the roller bed and vessel, over the contact area of the roller bed with the floor.

The distances between the base frames should match the vessel dimensions. If the vessel is perfectly symmetrical and one drive with one idler is used, place the drive unit and the idler unit on one-third of the way along the vessel's length to ensure that each section carries an equal load.

If one end of the vessel is heavier, move the drive or idler section closer to this end to balance the loading on each section.


CAUTION!

Balance the loading equally between the drive and idler sections. Failure to do so can result in overloading one of the sections, which will cause the wheels slipping when trying to rotate the vessel. It can also result in back-driving, where the vessel can continue to rotate after stopping the roller beds. This must be rectified by correctly positioning the drive and idler section, failure to do so will cause damage to the equipment.


WARNING!

When a direction button (forward or reverse) is pressed, the roller beds begin to turn the vessel.

4.3 Adjusting the wheel stands

The positions of the two wheel stands on the base frame must be adjusted to load vessels of different diameters.

4 INSTALLATION

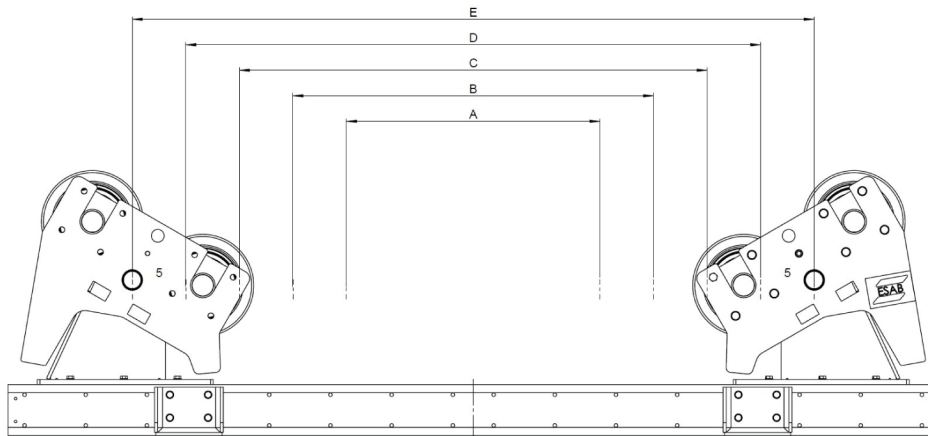
1. Unbolt the wheel stand from the base frame.
2. Use an overhead crane to lift the wheel stand using the lifting points.
3. Move the wheel stand to the required position for the diameter of the vessel.
4. Bolt the wheel stands back onto the base frame using all the bolts, and tighten to the correct torque i.e. M12 (8.8) 81 Nm and M16 (8.8) 197 Nm.
5. See tables and the picture below for correct distances between the two wheels stands.

Suitable centre to centre distance (C -C) in relation to workpiece diameter



NOTE!

Only when the workpiece is resting on all wheels.



ESD 7.5, ESI 7.5			
Wheel stand position	C- C (mm)	Min object Ø (mm)	Max object Ø (mm)
A	650	950	1320
B	910	1320	1990
C	1170	1960	2670
D	1430	2480	3340
E	1690	3000	4000

ESD 15, ESI 15			
Wheel stand position	C- C (mm)	Min object Ø (mm)	Max object Ø (mm)
A	760	1090	1540
B	1140	1540	2510
C	1520	2510	3500
D	1900	3400	4400
E	2280	4100	5400

ESD 30, ESI 30			
Wheel stand position	C- C (mm)	Min object Ø (mm)	Max object Ø (mm)
A	995	1420	2080
B	1375	2080	2990
C	1755	2910	3900
D	2135	3700	4900

ESD 60, ESI 60			
Wheel stand position	C- C (mm)	Min object Ø (mm)	Max object Ø (mm)
A	995	1420	2010
B	1415	2010	3090
C	1835	3070	4100
D	2255	3900	5200
E	2675	4800	6300

ESD 90, ESI 90, ESI 120, ESI 120			
Wheel stand position	C- C (mm)	Min object Ø (mm)	Max object Ø (mm)
A	1470	2120	2990
B	1890	2930	4000
C	2310	3800	5100
D	2730	4600	6200

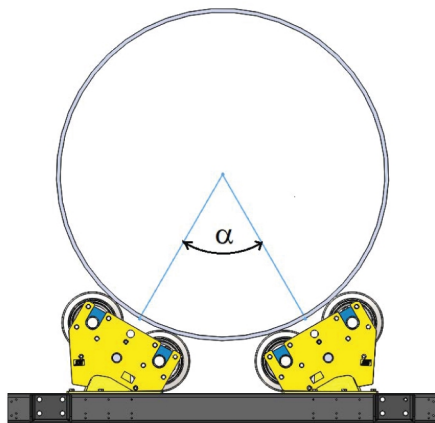
**NOTE!**

Adjust the wheel stands so that the axis of rotation of the vessel is on the centre line of the drive and idler frames.

4.4 Adjusting the included angle

The included angle (α) is the angle between two lines from the centre of the rotation axis of the vessel to the centre of each wheel on the drive or idler section. As the angle increases, so do the resulting load on each wheel, and consequently, the load on the bearings. Also, by increasing the angle, more torque, therefore more power is required to rotate the vessel.

The distance between the wheel stands, on both the drive unit and the idler units depends on the diameter of the vessel. To achieve a safe and smooth operation of the roller beds the recommendation is to keep the included angle (α) between 45° and 70°.



4.5 Installation procedure

Follow this installation procedure before the first use, after maintenance or repair work, or after a storage period of the roller beds.

The roller beds are fully tested functionally before dispatching from the factory.

It is recommended to check the operation of all controls before the roller beds are taken into production.

Installation procedure:

- Check that all moving parts, for example, the wheels, can move freely.
- Check the oil level in the gearbox, see section "Gearbox lubrication".
- Check the integrity of all cables, mains, and motors, make sure there are no cuts, etc.
- Check that all wireless remote - control pendant controls operate correctly.
- Check that the emergency stop on both wireless remote - control pendants is functional and locks all other controls so the roller beds cannot restart, then reset on the control panel.
- Check that the emergency stop on the control panel works and locks all other controls so the roller beds cannot restart, then reset on the control panel.
- Check that the steel framework is not damaged.

4.6 PEK setup



NOTE!

The following description requires basic knowledge of ESAB welding process PEK control unit . For more information about PEK control unit , refer to the PEK control unit instruction manual.

Follow these instructions to set up the PEK control unit when a roller bed is connected to an ESAB CaB.

- 1) To configure a connected roller bed in PEK control unit, select *MAIN MENU » MACHINE CONFIGURATION » CONFIGURATION*.
- 2) Select *PRODUCT CODE » FREE 3 AXIS*.

<i>MACHINE CONFIGURATION</i>		
<i>PRODUCT CODE</i>	<i>FREE 3 AXIS</i>	
<i>WIRE FEED AXIS▶</i>		
<i>TRAVEL AXIS▶</i>		
<i>EXTERNAL AXIS▶</i>		
<i>TANDEM▶</i>		
<i>ICE WIRE FEED▶</i>	<i>OFF</i>	
<i>STEP FUNCTION▶</i>	<i>OFF</i>	

- 3) Select *EXTERNAL AXIS » ROLLER BED*. See PEK settings in chapter "TECHNICAL DATA" for referred tables. Enter values for:
 - GEAR 1 - values from the table for the specific roller bed size.
 - GEAR 2 - values from the table for the specific roller bed size.
 - GEAR 3 - not used for roller beds, default value is 1:1.
- 4) Enter the rest of the *EXTERNAL AXIS* values. See PEK settings in chapter "TECHNICAL DATA" for referred tables.
 - *WHEEL DIAMETER* - enter the value from the table for the specific roller bed size.
 - Parameters not used: *SPEED WHEEL*, *ENCODER-PULSES* and *ENCODER INPUTS*.
 - *HIGH MANUAL SPEED* - enter the maximum turning speed value from the table for the specific roller bed size.



NOTE!

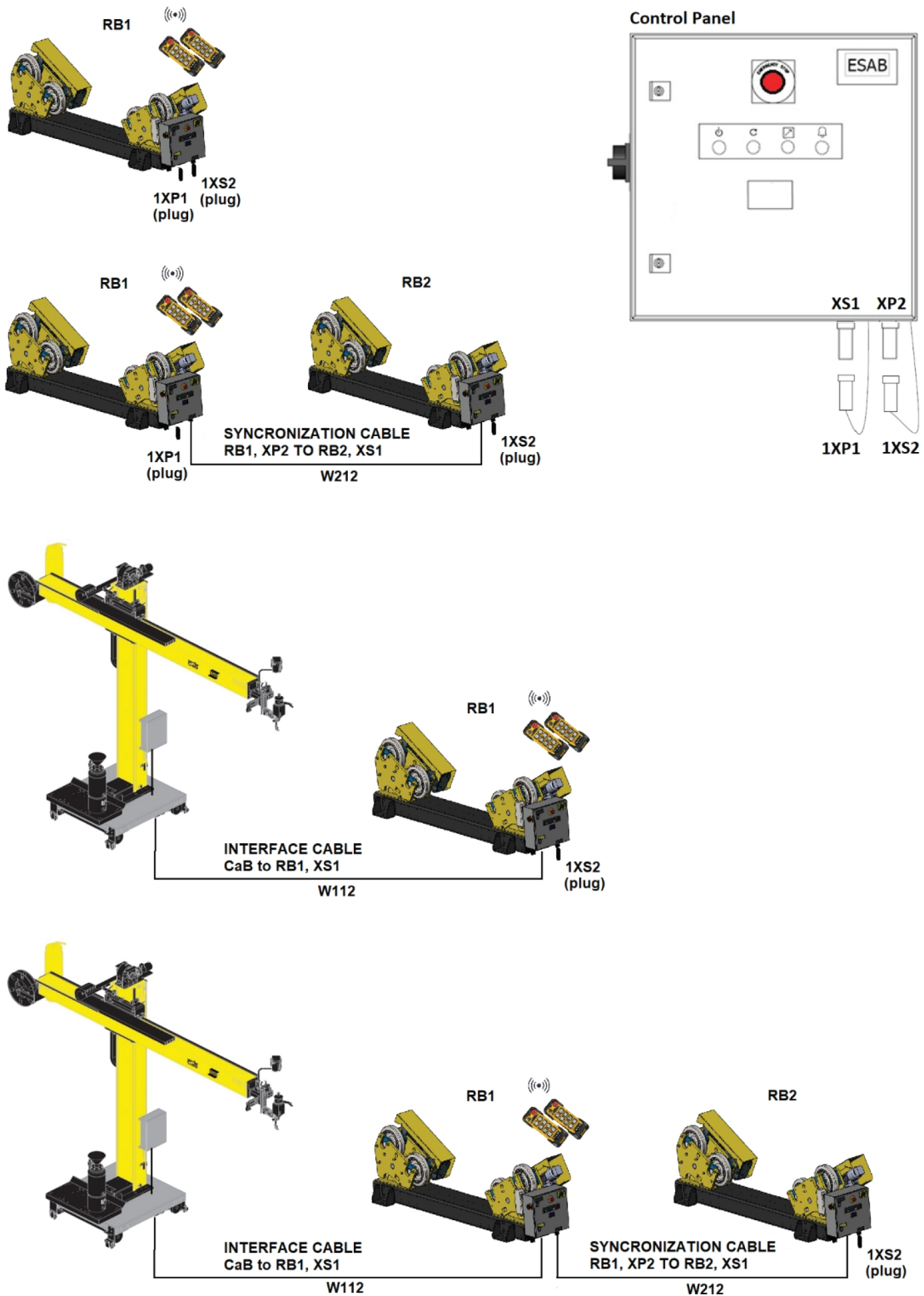
The units used in the table and in PEK may differ.

4 INSTALLATION

- *FREQUENCY RATION N1* - enter the inverter frequency setting value from the table for the specific roller bed size.
- *FREQUENCY RATION N2* - default value is 50 Hz.
- *MAX MOTOR RPM* - enter the value from the table for the specific roller bed size, motor output at 50 Hz.
- *WELD DIAMETER* - enter the diameter (mm) of the work piece where the weld will be carried out. If welding on the surface, this value will be equal to the roll diameter.
- *ROLL DIAMETER* - enter the outer diameter (mm) of the actual work piece.

4.7 Roller bed configurations

The figure below shows different setup options for the CaB and roller bed. For further details see section "WIRING DIAGRAM". For interface cable and synchronization cable see section "ACCESSORIES".



5 OPERATION

5.1 Roller bed details

The roller bed set usually consists of one drive unit and one, two or, three idler units.

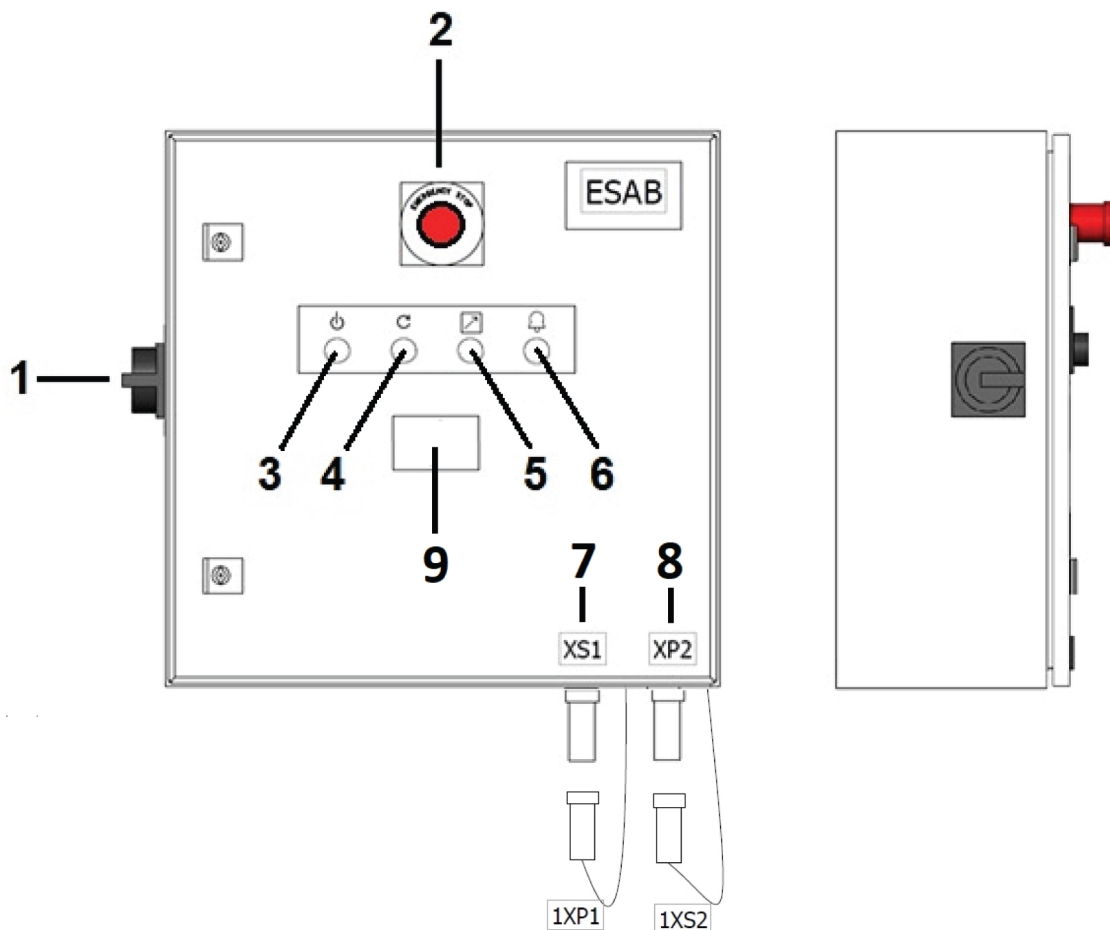
The idler unit consists of a base frame with two wheel stands bolted onto the top of it. Holes are drilled through the top of the base frame for the wheel stands to be positioned at different distances to suit the vessel diameter.

The drive unit consists of two-wheel stands that can be positioned to suit the vessel diameter. Both wheel stands are motorized. The wheel is turned by a gear motor mounted straight onto the drive shaft.

Inside the control panel is an inverter that controls the motors.

The roller bed is manually controlled via a wireless remote - control pendant. It can also be connected to a welding manipulator, for example, ESAB CaB, and then controlled by the CaB controller.

5.2 Control panel



- | | |
|----------------------------------|--|
| 1. Mains switch (A1) | 6. Alarm lamp/pushbutton (A33) |
| 2. Emergency stop button (A30) | 7. Connector to external control (XS1) |
| 3. Mains ON lamp (A32) | 8. Connector to the next roller bed unit (XP2) |
| 4. E-stop reset pushbutton (A31) | 9. Digital display (A35) (optional) |
| 5. White lamp (A34) | |

Control panel

1. Mains switch (A1).
2. Emergency stop button (A30). Pressing causes loss of function. The button must be released before reset is possible.
3. Mains ON lamp (A32). Illuminates (green) once power has been turned on and the control system has started up. (Mains switch (1) is turned to ON position). This pushbutton, in combination with (A33), is also used for calibration and reset of a second roller bed (RB2) connected to the primary roller bed (RB1).
4. E-stop reset button (A31). Illuminates (blue) when any of the emergency stop pushbuttons are activated and/or not reset. It flashes when the e-stop pushbuttons are de-activated again and will go off when the buttons are pushed (E-stop reset).
5. White lamp (A34). Illuminates after requested control mode has been chosen, either local (illuminates constantly) or controlled from an external device (flashes), for example, ESAB CaB. Press this pushbutton to activate local control when the roller bed is used as a standalone unit. Press again to deactivate it. When the roller bed is connected to and controlled from an ESAB CaB i.e., digital output from the CaB is set to high, this lamp flashes until the signal is set to low again.
6. Alarm lamp / pushbutton (A33). Illuminates constantly (red) when any kind of fault has occurred. Must be manually reset after the fault has been detected and fixed. It flashes if battery power is low on the wireless remote-control pendant and stops flashes when the battery is charged or replaced. This pushbutton, in combination with (A32), is also used for calibration and reset of a second roller bed (RB2) connected to the primary roller bed (RB1).
7. Connector to external control, for example, CaB (XS1). A dummy plug with jumpers (1XP1) must be connected to be able to run the roller bed as a stand-alone unit.
8. Connector to a second roller bed controller i.e., synchronized drives (XP2). A dummy plug with jumpers (1XS2) must be connected to be able to run the roller bed as either a single unit or when it is the last unit in a chain of several connected roller beds.
9. Digital display (A35, when applicable). It shows the peripheral rotation speed of the PU wheels.

5.3 Wireless remote - control pendant

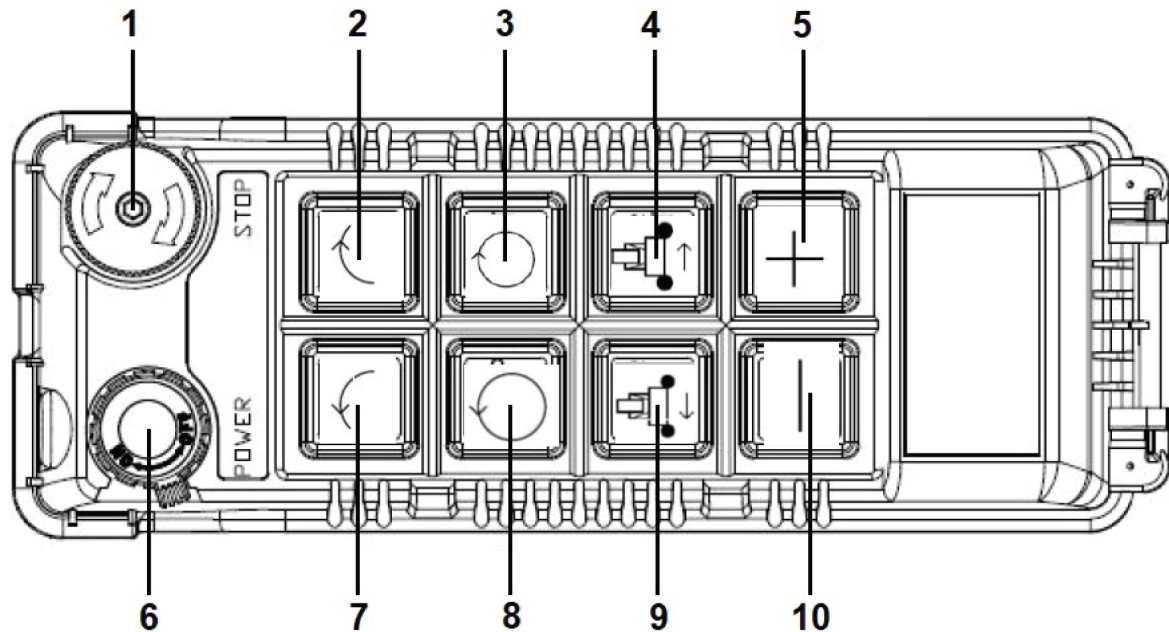
The system is delivered with two wireless remote-control pendants with rechargeable batteries, one receiver (mounted behind the control panel), and one inductive charger. The two wireless remote-control pendants are working on the same radio channel and frequency, and therefore only one at a time would be used. Second wireless remote-control pendant is a spare unit and shall never be used at the same time as the other remote unit.

**CAUTION!**

Always stop the rotation before changing direction by pressing the same pushbutton that has been pressed last for the requested direction.

**NOTE!**

When one of the direction buttons (forward or reverse) is pressed, the roller beds immediately begin to turn the vessel.



- | | |
|---|--|
| 1. Emergency stop button | 6. Main switch, ON/OFF |
| 2. Incremental rotation clockwise | 7. Incremental rotation anti-clockwise |
| 3. Continuously rotation clockwise. Toggling function ON/OFF. | 8. Continuously rotation anti-clockwise. Toggling function ON/OFF. |
| 4. Railcar motion direction A | 9. Railcar motion direction B |
| 5. Increasing rotation speed | 10. Decreasing rotation speed |

5.4 Switch the mains power on

**WARNING!**

Do not operate the roller beds if there are signs of damage. Always have an authorized ESAB service technician to check and make repairs if necessary.

Before switching on the roller beds, check that:

1. the wheel stands are correctly bolted on the base frame.
2. the wheels are correctly positioned under the vessel.
3. there are no obstructions to prevent rotation of the vessel (if one is loaded).

Visually inspect the wheels, motors, gearboxes, wireless remote - control pendant, control panel and cables for any signs of damage.

**WARNING!**

Make sure that the mains supply matches the electrical voltage shown on the control panel.

**WARNING!**

Ensure that mains cable do not lay on vehicle or forklift traffic lanes and do not cause a tripping hazard.

- 1) Plug in the mains lead to the power supply.

- 2) Switch on the mains power, the mains on lamp (green) on the control panel illuminates.
- 3) Turn on any of the two wireless remote - control pendants.



WARNING!

Only **one** remote control unit is to be used while utilising the equipment. The other, spare remote control unit must be turned off and securely stored in a designated location.

- 4) Check that the emergency stop buttons are not pressed in.
- 5) Press the E-stop rest pushbutton.

If running as standalone, press the control mode pushbutton (white lamp).

In case an ESAB CaB is connected to the roller bed, check and verify that settings in the PEK are correct and match the roller bed parameters.

The roller bed is now ready to operate.

5.5 Operating the roller beds



CAUTION!

Specified maximum allowed load and turning capacity on each roller bed set is valid only when the vessel CoG (Center of Gravity) is centered, i.e. the workload is balanced on the roller bed set.

In case the work piece CoG is off-centered, contact ESAB Sales Support for consultancy.

- 1) When the roller beds are correctly aligned and the wheel stands are in the correct position, start loading the vessel on the roller beds.

This must be done steadily, to not shock load the roller beds. Shock loading cause damage to the gearmotors.

Ensure that no protuberances on the vessel can strike objects around the roller beds or the floor during rotation.
- 2) Press the desired travel direction (pushbutton 3 or 8). The roller beds now start to turn the vessel.
- 3) To adjust the speed up or down press pushbutton 5 or 10.



NOTE!

Test the emergency stop functionality frequently by pressing the e-stop pushbuttons, at least one time a month.

5.6 Operation safety

Do not place multiple drive units under one vessel. This is only possible if the optional synchronization cable (W212) has been supplied with the roller beds. In this case, the primary control panel (RB1) controls the secondary drive unit (RB2).

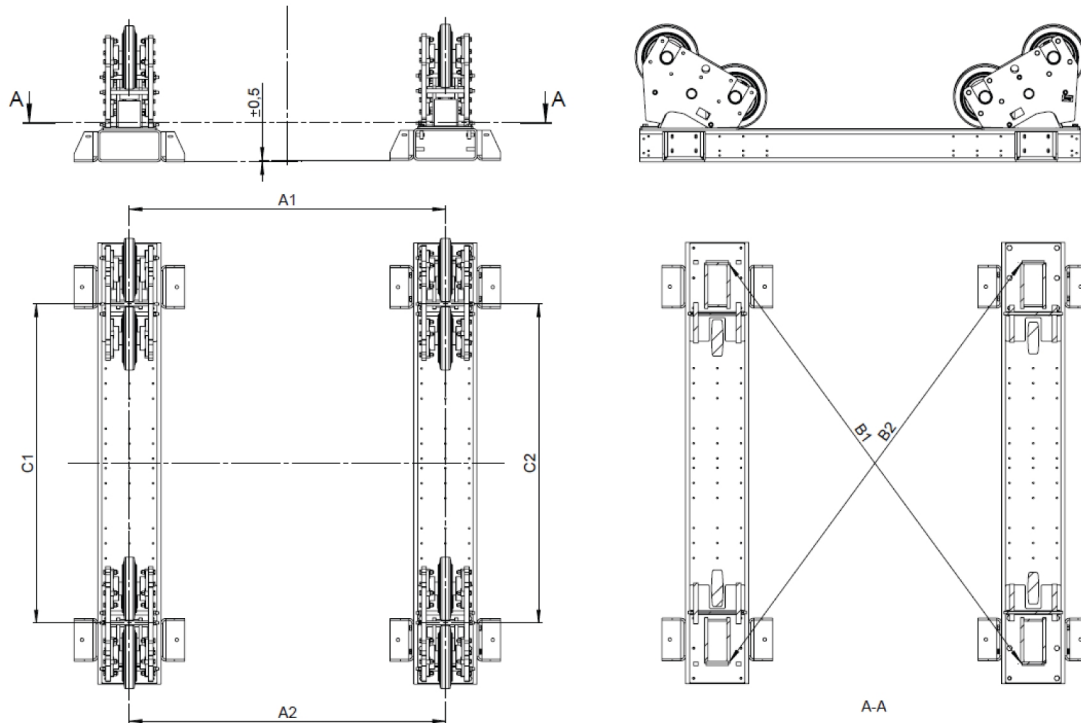
Do not let parts of the vessel, for example, the connection tubes, come into contact with the roller beds, floor, or objects in the vicinity during rotation. This can cause damage to the roller beds and cause the wheels to slip or overload the units.

Make sure to have proper earthing during welding. Lack of proper earthing can cause the electrics on the roller beds to short out.

If the emergency stop button is pressed in, find out the reason for the action before restarting the roller bed.

Make sure that the wheel stands are placed in a correct position to fit the size of the actual work piece diameter. See "Adjusting the wheel stands" chapter.

See section "Adjusting the wheel stands" for more information. Make sure that the drive and idler units are aligned parallel to each other. Otherwise, the vessel can creep lengthways and fall off the roller beds. This can also cause wear and damage to the roller bed wheels.



The illustration shows the correct alignment procedure between two roller bed sections (two idler units in the picture above).

Conventional roller bed alignment:

1. Ensure that the floor is leveled and free from cracks or other damages.
2. Ensure that heights are within limits.
3. Ensure that both sections have their wheel stands mounted at the corresponding place, i.e., C1 and C2 are equal.
4. Ensure that sections are not tilted.
5. Ensure that: $A1 = A2 \pm 0.5 \text{ mm (0.02 in.)}$ and $B1 = B2 \pm 0.5 \text{ mm (0.02 in.)}$.

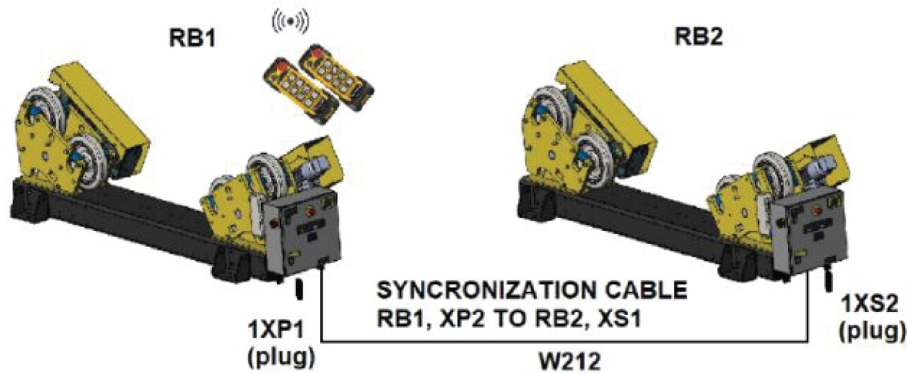
5.7 Synchronizing two or more roller beds



NOTE!

This instruction describes two roller beds in synchronized mode. More roller beds can be connected in a row and in such case RB3, RB4 and so on is handled in the same way as RB2.

- 1) Connect the synchronization cable between the roller beds.



Calibrating the system

- 1) To start calibrating the system from the primary unit (RB1), hold RUN button (green, A32) for 2 seconds.
- 2) To reset calibration values in the secondary unit (RB2), hold RUN button (green, A32) and RESET button (red, A33), (local control needed) for 2 seconds.

Status signals

Calibration active =	RB1: Green button lamp flashing 1Hz RB2: White button lamp flashing 2.5Hz
Calibration done =	RB1: Green button lit RB2: White button lamp flashing 1Hz (back to master controlled)
Calibration reset =	RB2: White button lamp flashing 5Hz

How to reset if calibration error occurs

If RB1 and RB2 is connected, there are two options:

- Push white button on RB1 (to release master control).
Push white button on RB2 (for local controlled) and do calibration reset (Hold RUN and reset button).
- Re-calibrate from RB1 and reset if red lamp still is on.

5.8 Welding



WARNING!

The vessel must be earthed independently from the roller beds when welding.

Earthing through the roller bed causes serious damage to the roller beds.

The earthing requirements of specific welding procedures must be known, and earthing should be correctly connected to the vessel before welding. Standard roller beds are not designed to earth the vessel during welding.

5.9 Stopping the roller beds

On the wireless remote - control pendant, press the toggling pushbutton for a continuous rotation to stop the rotation.

Rotation starts again when the pushbutton for continuously rotation is pressed.



NOTE!

Use the emergency stop button on the control panel and wireless remote - control pendant in case of an emergency only.

6 MAINTENANCE

6.1 General

**WARNING!**

During all maintenance or repair procedures, the roller beds must be electrically isolated. Switch off the main electrical supply and unplug the mains cable.

**WARNING!**

After disconnecting the power, there may be some residual charge in some components in the panel. Wait for a few minutes after disconnecting the mains power before commencing work on any electrical elements of the roller bed.

The installation procedure must be carried out after maintenance, repair, or storage period, see section "Installation procedure".

6.2 Storage

Store the roller beds in a cool dry place. After a long period of storage, the roller beds must be thoroughly checked before use.

**WARNING!**

When the roller beds are stored or transported in a cold climate and moved into a warm location, condensation can be built up in the roller beds or the electrical controls. To prevent damage, allow the roller bed to adjust to the new environment temperature.

**CAUTION!**

Do not store the roller beds outside unprotected. The roller beds must be sheeted, bare metal areas, bearings, gears, and shafts suitably greased to prevent corrosion.

6.3 Repair and maintenance

Keep the roller beds clean and free from dirt or waste from the welding process.

Check the gearbox oil regularly and keep it at the correct levels. See the "Gearbox maintenance" section.

Inspect the entire roller beds installation at least once per year. Pay particular attention to:

- Electrical contacts
- Switches and controls
- Mechanical parts, fixings are not loose.
- Condition of PU wheels
- Wheel rotation is full and there is no eccentric rotation around the axles.
- Metal corrosion
- Frame damage
- Signs of damage to the wheel bearings
- Gearbox maintenance
- Cable damage: mains and any visible cable running from the control panel to the motors.
- Correct functioning of the emergency stops and the control panel mains switch.

Remove and replace any damaged parts.

6.4 Cleaning



WARNING!

Roller beds must be electrically isolated before cleaning. Electrical components must not come in contact with water or other cleaning fluids.



NOTE!

Ensure that the roller beds are clean. Any arc sparks, flux or slag must be removed from the roller beds as soon as possible.

Frequently check that the equipment is free from any damages, mechanical or electrical. At least one time a month.

The roller beds do not require any special cleaning instructions. The roller beds do not create any pollution to the environment around them during normal operation, although, the welding process being carried out on them may pollute the roller beds.

6.5 Breakdowns

If the roller beds stop working, the equipment must be repaired by authorized ESAB service technicians.



NOTE!

Repeated faults indicate a problem with the roller beds. Inform the person responsible for service and maintenance.

6.6 Gearmotors

6.6.1 Gearmotors inspection and maintenance

To ensure that the roller beds have a long service life the oil in the gearbox must be regularly checked and changed.

Regular maintenance checks:

- Under normal working conditions and with an oil sump temperature not exceeding 80 °C the service life of the oils is 10 000 operation hours or two years, whichever comes first.
- Check if the seal is leaking or damaged.
- Check if there are any unusual noises during operation. If yes, the bearing may be broken.
- Check the breathing hole of gearbox is obstruction free.
- To aid cooling of the gearbox it is recommended that the external housing is kept clean.
- Check the bolts, tighten if loose.

6.6.2 Gearbox lubrication

The gearboxes on the roller beds were filled with the proper quantity of lubricant (CLP ISO VG220: Fuchs Renolin CLP220) before shipping from the factory.

Oil charge per roller bed size:

Model	Volume per gearbox
ESD 7.5	0.7 dm ³
ESD 15	1.1 dm ³
ESD 30	2.1 dm ³

Model	Volume per gearbox
ESD 60	3.2 dm ³
ESD 90	6.4 dm ³
ESD 120	9.7 dm ³

All gearmotors are of Siemens brand.

More detailed information around maintenance of SIMOGEAR gearbox (BA 2030) and motors (BA2330) can be found at Siemens web site.

For changing gearbox oil and/or bearing lubrication follow the steps in chapter 8, Service and maintenance in respective manual by download the them from the following links:

BA 2030

<https://support.industry.siemens.com/cs/document/60666158/operating-instructions-ba-2030%3A-simogear-gearbox?dti=0&lc=en-DE>

BA 2330

<https://support.industry.siemens.com/cs/document/60666508/operating-instructions-ba-2330%3A-la-le-motors-for-mounting-on-simogear-gearboxes?dti=0&lc=en-DE>

In the manuals tables of recommended lubricant to use in gearboxes and bearings can be found.



NOTE!

Do not mix oils of different brands. Drain the oil from the gearbox before refilling with oil from a different brand.

6.7 Inverters

All inverters are of Siemens brand.

More detailed information around maintenance and troubleshooting of Sinamics V20 Inverter can be found at Siemens web site.

A new inverter with appropriate application software can be purchased from ESAB as a spare part.

6.8 Bearings



NOTE!

Before loosening the screws and nuts holding the bearing hubs, mark their position in relation to the wheel stand beneath, for example with a permanent marker. Do this to facilitate the remounting and aligning of the PU wheels afterward.

Make sure that the new bearings hubs are tightened to the correct torque.

M12 (8.8 quality) 81 Nm

M16 (8.8 quality) 197 Nm

M20 (8.8 quality) 385 Nm

6.9 PU wheels



NOTE!

Read section "Bearings" before you replace the PU wheel.

Before replacing a PU wheel, one of the flange bearings needs to be removed. There can be a locking screw located in the casted rim, which needs to be loosened before the PU wheel can be pushed off

the shaft. Before mounting the new PU wheel, make sure that the shaft and keys are undamaged. Replace them if necessary.

7 TROUBLESHOOTING

Perform these checks and inspections before sending for an authorized service technician.

- Check that the control panel is connected to the correct mains voltage.
- Check that all three phases have live voltage (phase sequence is not significant).
- In a case where several roller beds are used in the same production area, make sure that correct wireless remote-control pendants are used to the corresponding receiver unit that is mounted behind the control panel. (Serial no., ID would be the same on all units belonging to the same ESD).
- Check that the mains supply is disconnected before starting any type of repair action.

Type of fault	Possible cause	Corrective action
Power light is not illuminated	No incoming power	Check the incoming mains power
	Possible phase loss	Check that all phases are present
	Faulty or tripped circuit breaker	Check reset circuit breaker
Failure to reset when reset button is pressed	Emergency stop pressed	Check that all emergency stops are reset
	Circuit breaker has tripped	Check and reset tripped breaker(s)
	Low voltage power failure	Check output from low voltage power supply (24 V)
No rotation (alarm ON)	Wireless remote does not communicate with the receiver attached to the control panel	Ensure the correct transmitter is in use. The labels on the receiver and the transmitter will identify the RF channel and ID code in use
	Inverter not receiving speed reference	Make sure the wireless control has a full charged battery
	A pushbutton is stuck to the bottom and does not release	Check that pushbutton on the wireless control for any damage
	No power from the inverter	Check if the inverter has proper power supply. Service Manual 0463762001 will give more information about fault tracing.
The roller bed rotates but wheels are juddering	Motor fault	Check that motor turns freely
	Wheel bearing fault	Check for damage or play in bearing
The roller bed struggles to turn component	Work piece exceeds capacity of the roller bed	Check component weight
	Wheel centres are too far apart	Check that wheel centres are correct to component diameter
	Out of balance loading has been exceeding	Check if out of balance loading is acceptable

7.1 Radio Frequency (RF) channels control system

In case of interference on the radio frequency (RF) channel do the following:

- 1) Find out what other RF controlled machine and/or equipment that cause the disturbances on the roller bed control system and figure out what frequency channel it is configured for.
- 2) Compare it with the RF channel that the roller bed is configured for. That information can be found on a sticker both on the backside of the receiver (mounted behind the control cabinet) and on each remote control (behind the upper rubber protection).
- 3) RF controlled units must be separated with at least 2 channels i.e. 50 kHz between each other to have a reliable function.

See the available RF channels in the table on next page.

- 4) If the roller bed RF controlled system must be updated in terms of RF channel, please contact nearest ESAB Service office for support.

Type of fault	Possible cause	Corrective action
Unexpected and frequent emergency stops.	Interference on the wireless remote control system from other units.	Compare RF channel on the roller bed and other nearby suspected equipments and/or machines.
	Other equipment working on the same or nearby frequency channel.	If necessary, change the RF channel on the roller bed control system with support from ESAB.

7.2 Radio Frequency (RF) channels table

Available radio frequency (RF) channels for the supplied, wireless control system.

Band 433 Mhz	Dip-Switch Setting	Channel	Band 433 Mhz	Dip-Switch Setting	Channel
433.075 Mhz	00000001	01	434.425 Mhz	00100011	35
433.100 Mhz	00000010	02	434.450 Mhz	00100100	36
433.125 Mhz	00000011	03	434.475 Mhz	00100101	37
433.150 Mhz	00000100	04	434.500 Mhz	00100110	38
433.175 Mhz	00000101	05	434.525 Mhz	00100111	39
433.200 Mhz	00000110	06	434.550 Mhz	00101000	40
433.225 Mhz	00000111	07	434.575 Mhz	00101001	41
433.250 Mhz	00001000	08	434.600 Mhz	00101010	42
433.275 Mhz	00001001	09	434.625 Mhz	00101011	43
433.300 Mhz	00001010	10	434.650 Mhz	00101100	44
433.825 Mhz	00001011	11	434.675 Mhz	00101101	45
433.850 Mhz	00001100	12	434.700 Mhz	00101110	46
433.875 Mhz	00001101	13	434.725 Mhz	00101111	47
433.900 Mhz	00001110	14	434.750 Mhz	00110000	48
433.925 Mhz	00001111	15	434.775 Mhz	00110001	49
433.950 Mhz	00010000	16	433.325 Mhz	00110010	50
433.975 Mhz	00010001	17	433.350 Mhz	00110011	51

Band 433 Mhz	Dip-Switch Setting	Channel	Band 433 Mhz	Dip-Switch Setting	Channel
434.000 Mhz	00010010	18	433.375 Mhz	00110100	52
434.025 Mhz	00010011	19	433.400 Mhz	00110101	53
434.050 Mhz	00010100	20	433.425 Mhz	00110110	54
434.075 Mhz	00010101	21	433.450 Mhz	00110111	55
434.100 Mhz	00010110	22	433.475 Mhz	00111000	56
434.125 Mhz	00010111	23	433.500 Mhz	00111001	57
434.150 Mhz	00011000	24	433.525 Mhz	00111010	58
434.175 Mhz	00011001	25	433.550 Mhz	00111011	59
434.200 Mhz	00011010	26	433.575 Mhz	00111100	60
434.225 Mhz	00011011	27	433.600 Mhz	00111101	61
434.250 Mhz	00011100	28	433.625 Mhz	00111110	62
434.275 Mhz	00011101	29	433.650 Mhz	00111111	63
434.300 Mhz	00011110	30	433.675 Mhz	01000000	64
434.325 Mhz	00011111	31	433.700 Mhz	01000001	65
434.350 Mhz	00100000	32	433.725 Mhz	01000010	66
434.375 Mhz	00100001	33	433.750 Mhz	01000011	67
434.400 Mhz	00100010	34	433.775 Mhz	01000100	68

8 ORDERING SPARE PARTS



CAUTION!

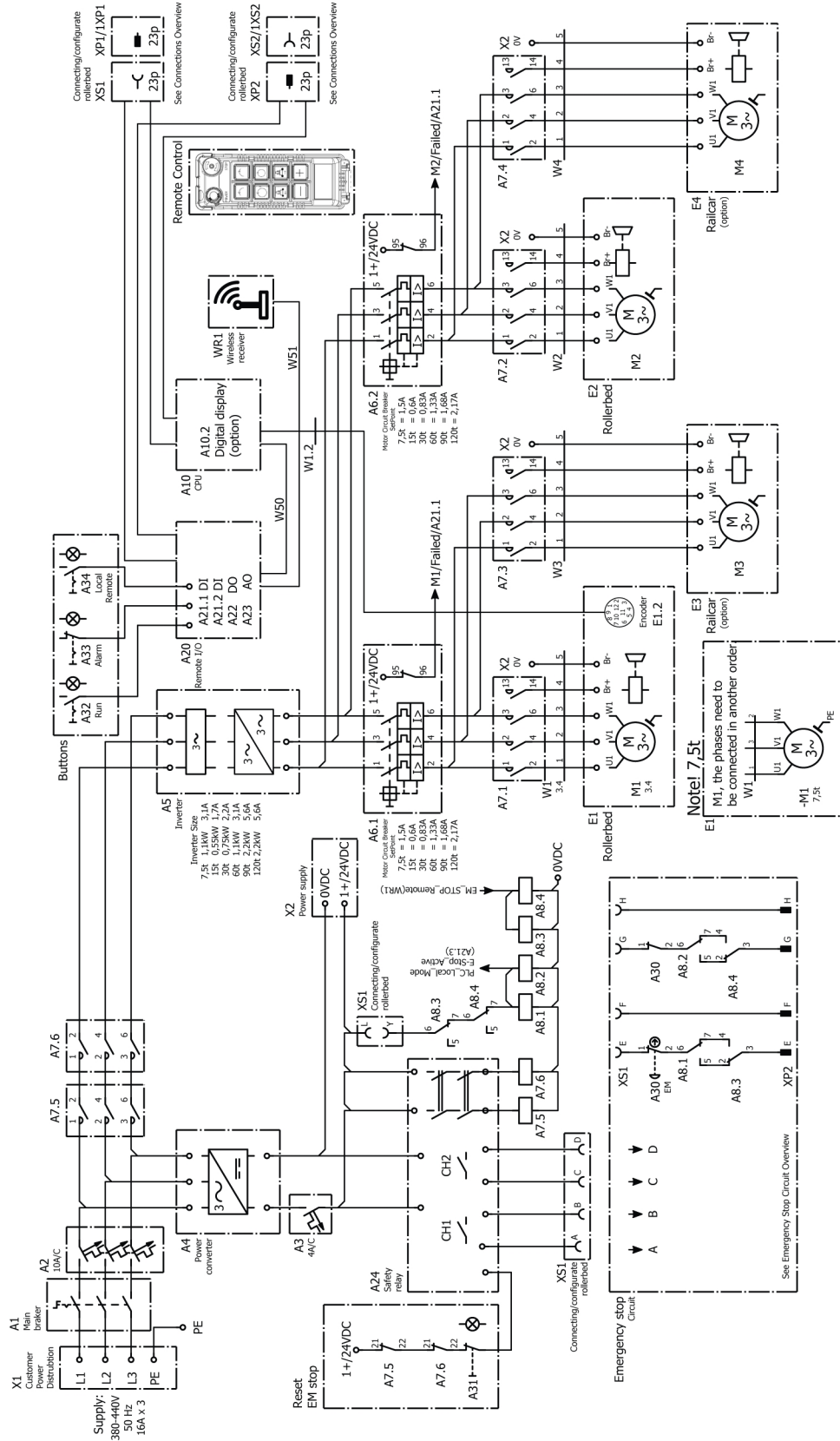
Repair and electrical work should be performed by an authorised ESAB service technician.
Use only ESAB original spare and wear parts.

ESD 7.5 and ESI 7.5, ESD 15 and ESI 15, ESD 30 and ESI 30, ESD 60 and ESI 60, ESD 90 and ESI 90, ESD 120 and ESI 120 are designed and tested in accordance with the international and European standards **EN 12100:2010**, **EN 60204-1:2018**, **EN 61000-6-2:2019** and **EN 61000-6-4:2019**. On completion of service or repair work, it is the responsibility of the person(s) performing the work to ensure that the product still complies with the requirements of the above standards.

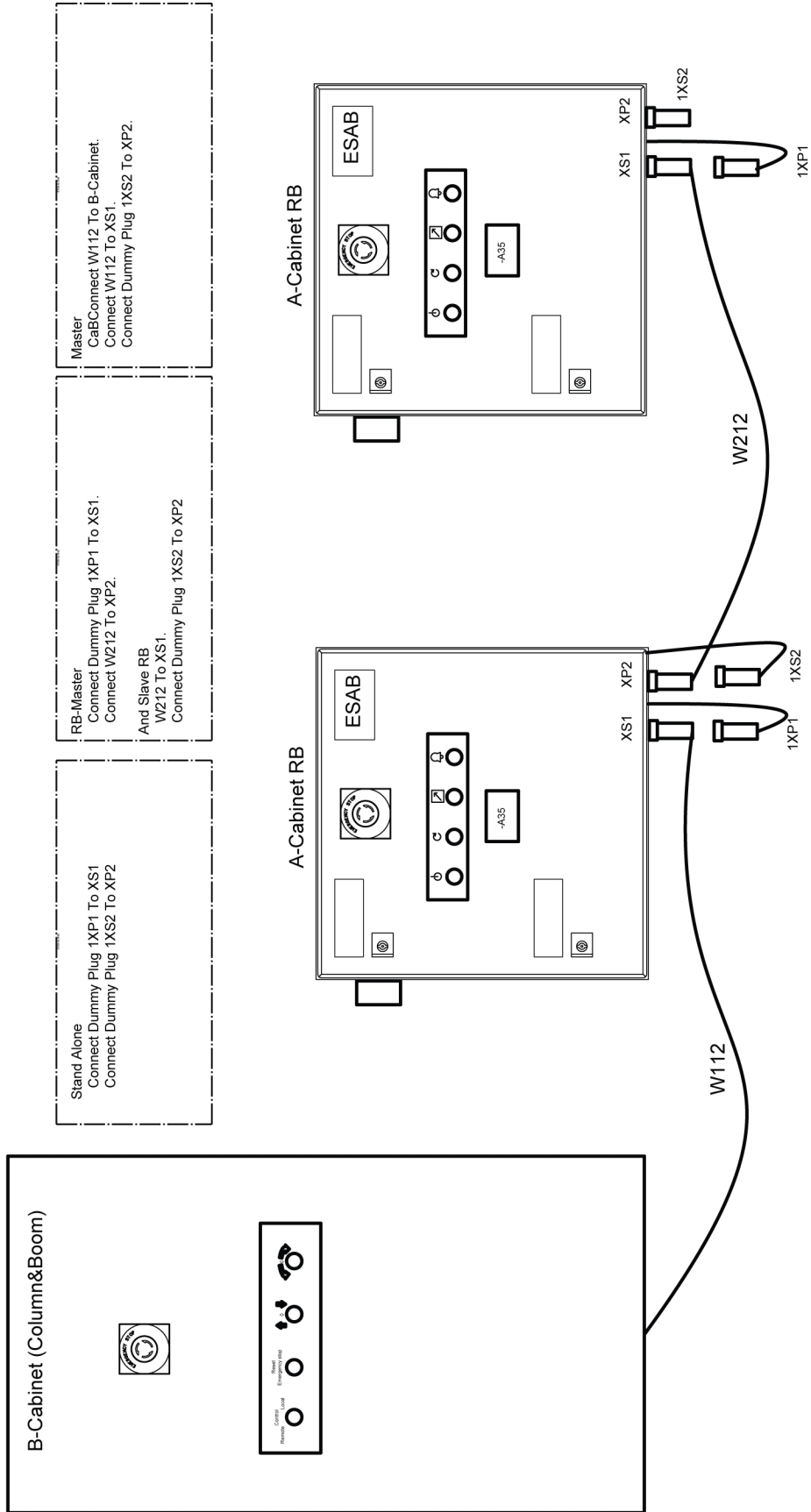
Spare parts and wear parts can be ordered through your nearest ESAB dealer, see [esab.com](https://www.esab.com). When ordering, please state product type, serial number, designation and spare part number in accordance with the spare parts list. This facilitates dispatch and ensures correct delivery.

APPENDIX

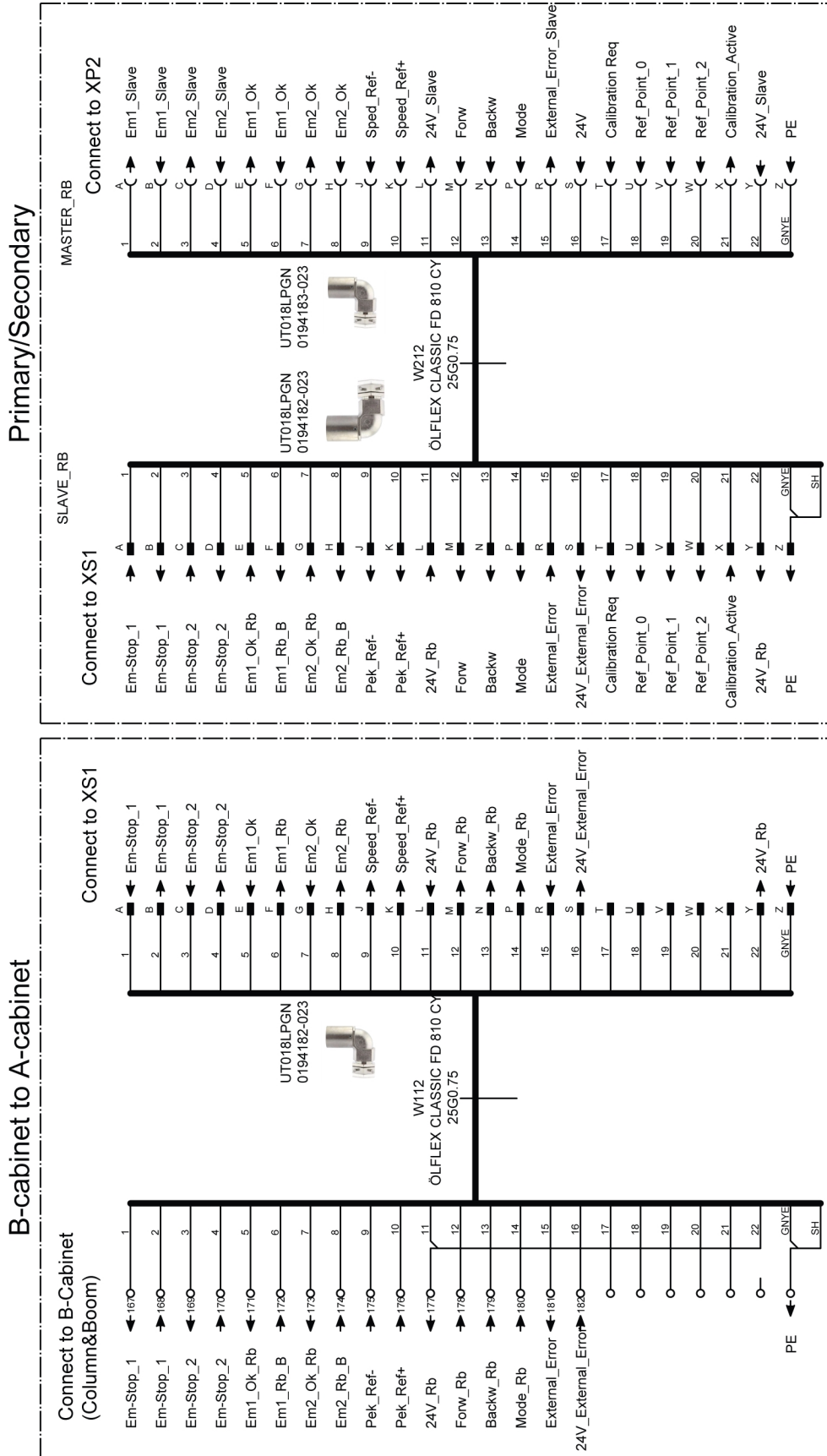
WIRING DIAGRAM



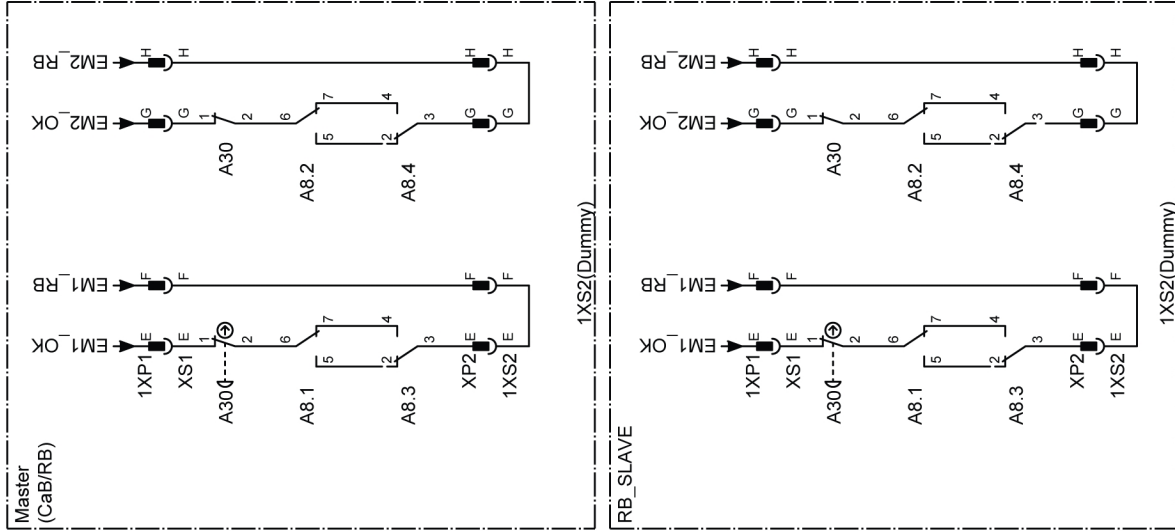
Connections overview



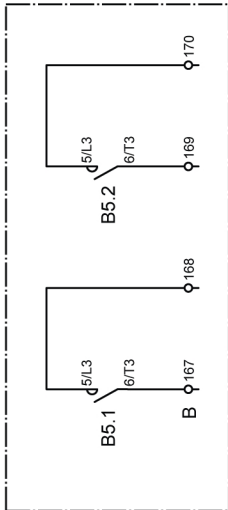
Connections B to A cabinet and primary to secondary



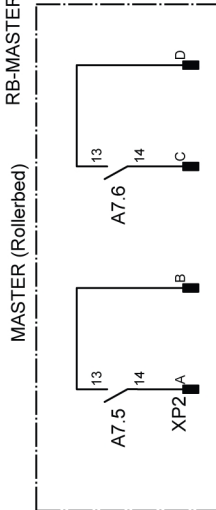
Emergency stop circuit overview



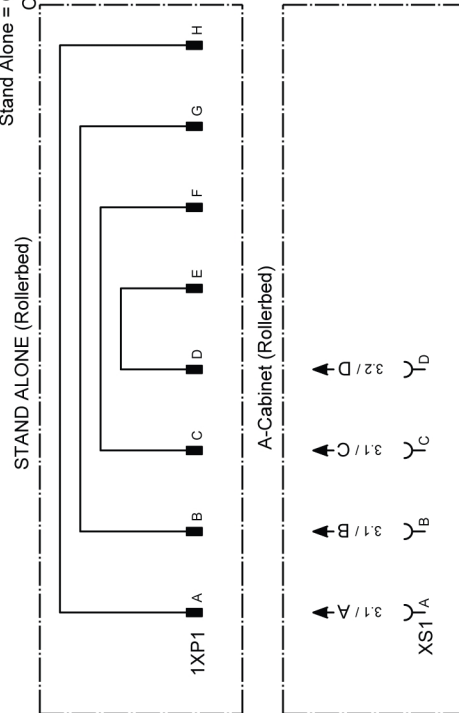
MASTER (Column&Boom) Master CaB = Connect W112 To B-Cabinet.
Connect W112 To RB- XS1.
Connect Dummy Plug 1XS2 To RB- XP2.



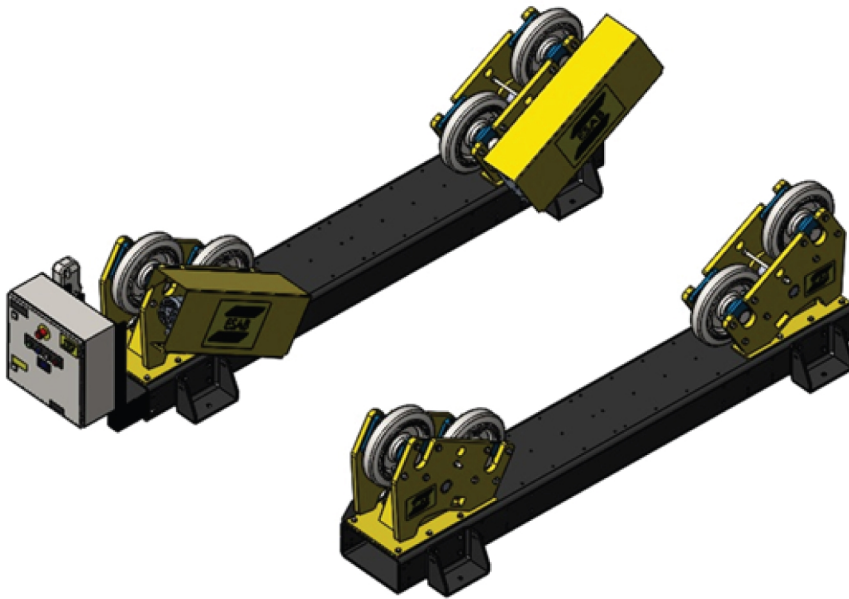
RB-MASTER = Connect Dummy Plug 1XP1 To RB- XS1.
and
Connect W212 To RB- XP2.
Slave RB= W212 To RB- XS1.
Connect Dummy Plug 1XS2 To RB- XP2



Stand Alone = Connect Dummy Plug 1XP1 To RB- XS1
Connect Dummy Plug 1XS2 To RB-XP2



ORDERING NUMBERS



Ordering number	Denomination	Type	Notes
0909 252 880	Roller bed drive unit	ESD 7.5	CE
0909 252 881	Roller bed drive unit	ESD 7.5	C, With digital display
0909 253 880	Roller bed idler unit	ESI 7.5	
0909 010 880	Roller bed drive unit	ESD 15	CE
0909 010 881	Roller bed drive unit	ESD 15	C, With digital display
0909 011 880	Roller bed idler unit	ESI 15	
0909 012 880	Roller bed drive unit	ESD 30	CE
0909 012 881	Roller bed drive unit	ESD 30	C, With digital display
0909 013 880	Roller bed idler unit	ESI 30	
0909 014 880	Roller bed drive unit	ESD 60	CE
0909 014 881	Roller bed drive unit	ESD 60	C, With digital display
0909 015 880	Roller bed idler unit	ESI 60	
0909 016 880	Roller bed drive unit	ESD 90	CE
0909 016 881	Roller bed drive unit	ESD 90	C, With digital display
0909 017 880	Roller bed idler unit	ESI 90	
0909 018 880	Roller bed drive unit	ESD 120	CE
0909 018 881	Roller bed drive unit	ESD 120	C, With digital display
0909 019 880	Roller bed idler unit	ESI 120	

ACCESSORIES

Qty	Ordering no.	Denomination	Notes
1	0909 530 880	CaB integration cable, CE	10 m
1	0909 530 881	CaB integration cable, CE	20 m
1	0909 530 882	CaB integration cable, CE	30 m
1	0909 530 883	CaB integration cable, CE	40 m
1	0909 530 884	CaB integration cable, CE	50 m
1	0909 530 900	Synchronization cable, CE	10 m
1	0909 530 901	Synchronization cable, CE	20 m
1	0909 530 902	Synchronization cable, CE	30 m
1	0909 530 903	Synchronization cable, CE	40 m
1	0909 530 904	Synchronization cable, CE	50 m

SPARE PARTS

Repairs and replacement parts

During the warranty period repairs must be carried out under the direction of the manufacturers. Any unauthorized repairs may damage the roller beds and invalidate the warranty.

It is recommended to contact the manufacturer for the supply of all replacement parts. This ensures that the correct part or suitable alternative parts are supplied and used in the equipment.

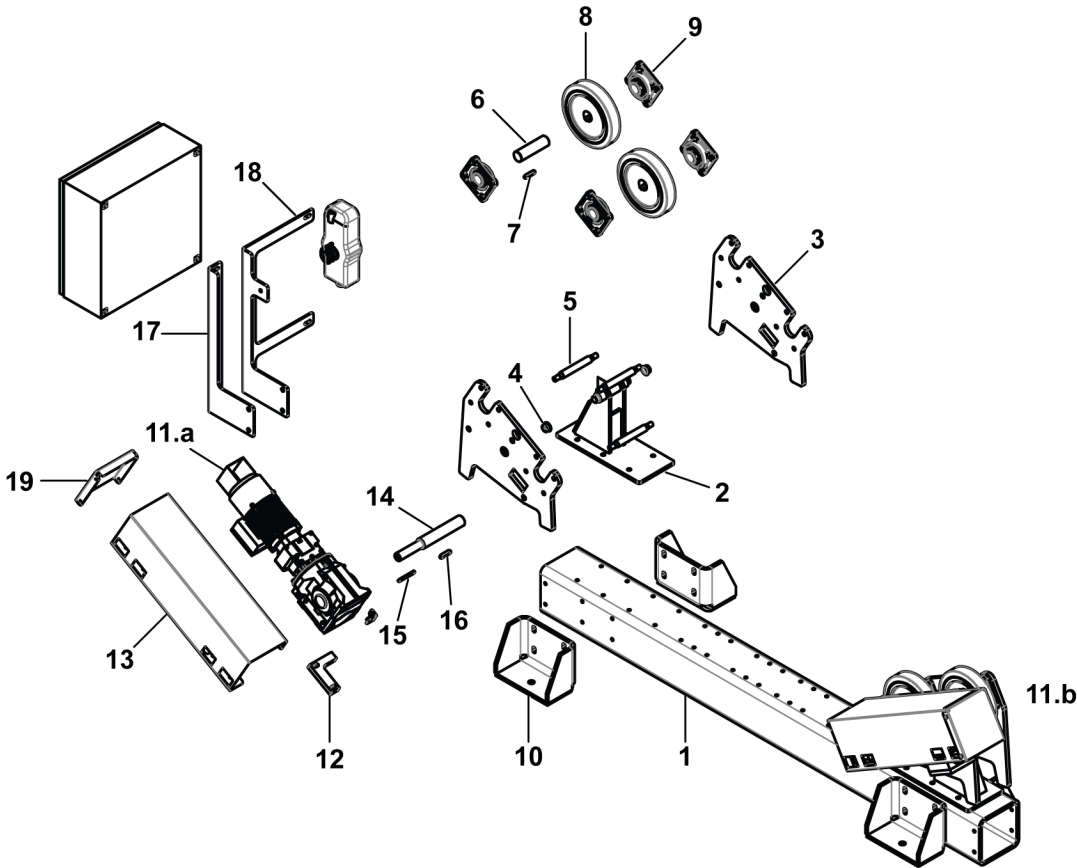


WARNING!

Not following the recommendations for replacement parts can have consequences for the safety of the equipment. The manufacturers cannot be held liable for any subsequent problems after fitting non-recommended parts.

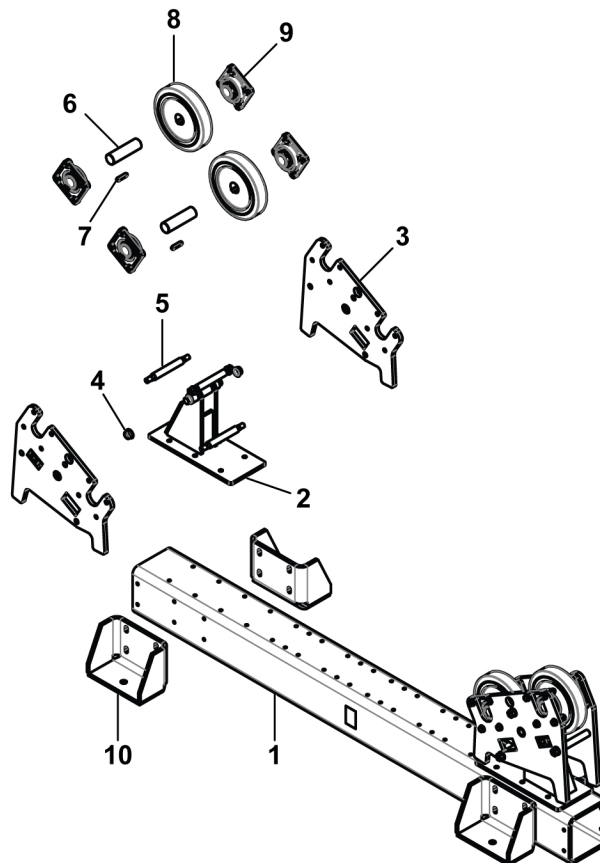
SPARE PARTS - ESD 7.5 Mechanical parts list - Drive section

Item	Qty	Ordering no.	Denomination	Notes
1	1	0909 229 001	Base frame	200×200×12.5 L=2200
2	2	0909 248 880	Roller stand	
3	4	0909 297 001	Side plate	
4	4	0909 173 001	Slide bearing with flange	
5	6	0909 392 001	Shaft kidney	
6	2	0909 299 001	Idler shaft	
7	2	0215 701 321	Key, wheel	12×8×32
8	4	0909 249 001	PU wheel	247×50
9	8	0909 302 001	Flange bearing	
10	4	0909 037 001	Side support	
11.a	1	0909 239 007	Gearmotor left	0.25 kW
11.b	1	0909 239 008	Gearmotor right	0.25 kW
12	2	0909 322 001	Torque stop	Valid for serial no. LX130-xxxx-xxxx
13	2	0909 241 001	Cover	Valid for serial no. LX130-xxxx-xxxx
13.2	1	0909 296 880	Bracket cover	Valid for serial no. LX130-xxxx-xxxx, Not shown in illustration
14	2	0909 298 001	Drive shaft	
15	2	0215 701 278	Key, gearmotor	8×7×90
16	2	0215 701 321	Key, wheel	12×8×32
17	1	0909 104 001	Bracket	
18	1	0909 242 001	Bracket	
19	2	0909 290 001	Cover end	Valid for serial no. LX130-xxxx-xxxx



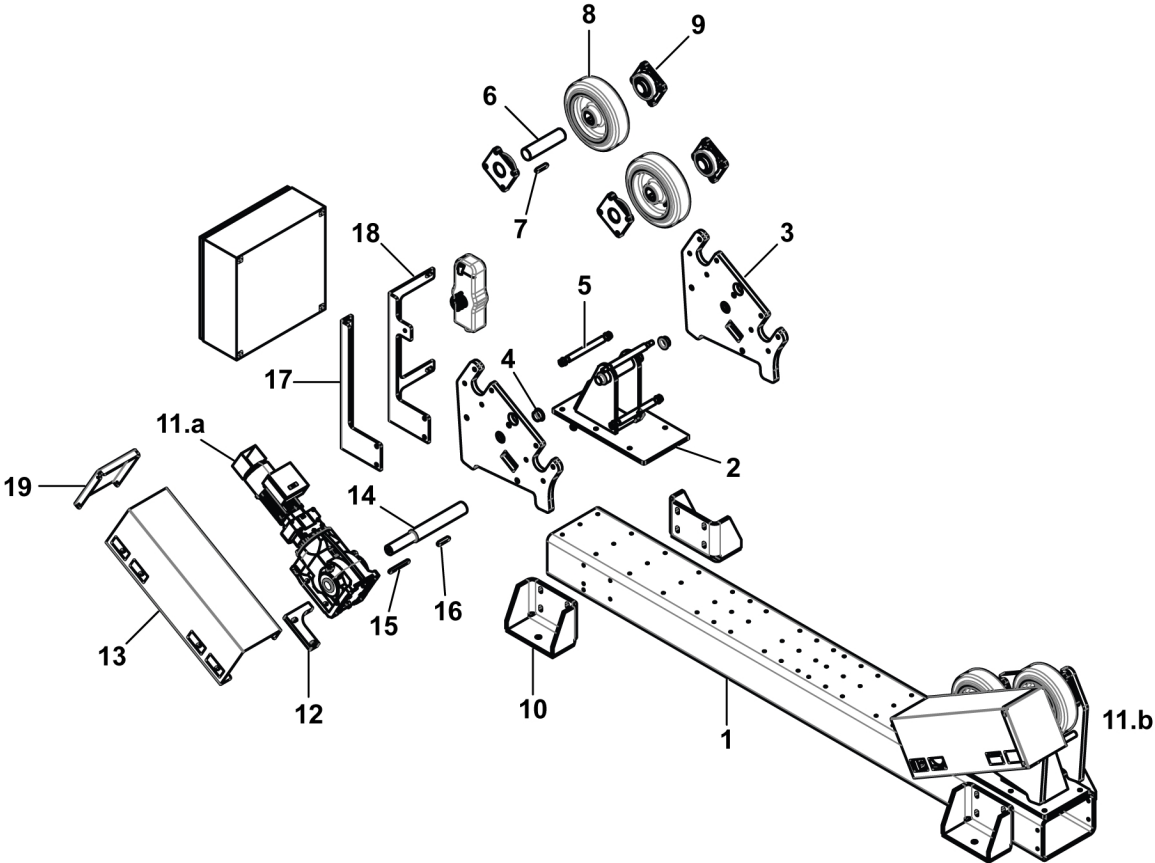
SPARE PARTS - ESI 7.5 Mechanical parts list - Idler section

Item	Qty	Ordering no.	Denomination	Notes
1	1	0909 229 001	Base frame	200×200×12.5 L=2200
2	2	0909 248 880	Roller stand	
3	4	0909 297 001	Side plate	
4	4	0909 173 001	Slide bearing with flange	
5	6	0909 392 001	Shaft kidney	
6	4	0909 299 001	Idler shaft	
7	4	0215 701 321	Key, wheel	12×8×32
8	4	0909 249 001	PU wheel	247×50
9	8	0909 302 001	Flange bearing	
10	4	0909 037 001	Side support	



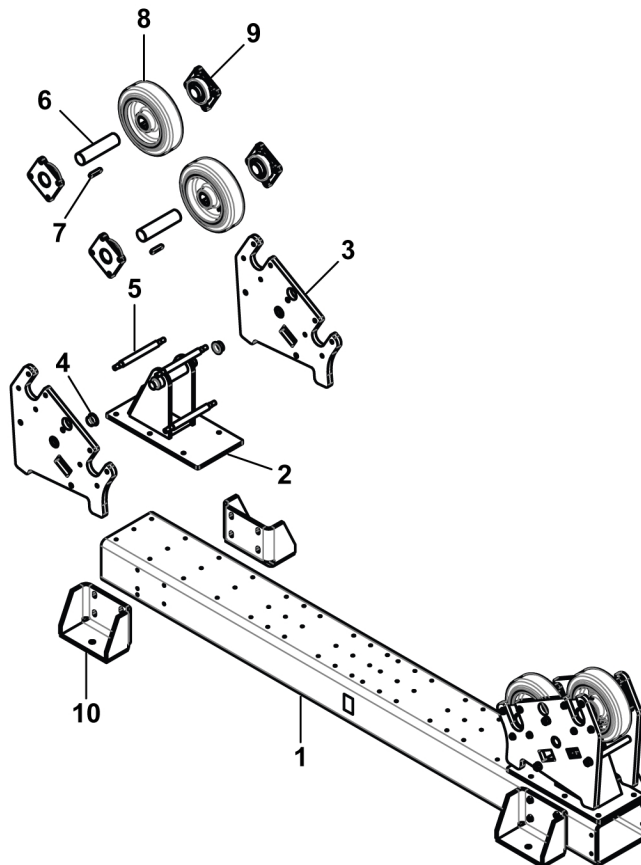
SPARE PARTS - ESD 15 Mechanical parts list - Drive section

Item	Qty	Ordering no.	Denomination	Notes
1	1	0909 043 001	Base frame	300×200×12.5 L=2790
2	2	0909 159 880	Roller stand	
3	4	0909 160 001	Side plate	
4	4	0909 173 005	Slide bearing with flange	
5	6	0909 390 001	Shaft kidney	
6	2	0909 163 001	Idler shaft	
7	2	0215 701 341	Key, wheel	14×9×63
8	4	0909 164 001	PU wheel	300×90
9	8	0909 162 001	Flange bearing	
10	4	0909 037 001	Side support	
11.a	1	0909 080 003	Gearmotor left	0.18 kW, Valid for serial no. 015-xxx-xxxx
	1	0909 361 003	Gearmotor left v2	0.18 kW, Valid for serial no. LX130-xxxx-xxxx
11.b	1	0909 080 004	Gearmotor right	0.18 kW, Valid for serial no. 015-xxx-xxxx
	1	0909 361 004	Gearmotor right v2	0.18 kW, Valid for serial no. LX130-xxxx-xxxx
12	2	0909 167 001	Torque stop	Valid for serial no. 015-xxx-xxxx
	2	0909 371 001	Torque stop v2	Valid for serial no. LX130-xxxx-xxxx
13	2	0909 073 001	Cover	Valid for serial no. 015-xxx-xxxx
	2	0909 368 001	Cover v2	Valid for serial no. LX130-xxxx-xxxx
13.2	2	0909 296 880	Bracket cover v2	Valid for serial no. LX130-xxxx-xxxx, Not shown in illustration
14	2	0909 166 001	Drive shaft	
15	2	0215 701 332	Key, gearmotor	12×8×110
16	2	0215 701 341	Key, wheel	14×9×63
17	1	0909 104 001	Bracket	
18	1	0909 116 001	Bracket	
19	2	0909 291 001	Cover end	Valid for serial no. 015-xxx-xxxx
	2	0909 372 001	Cover end v2	Valid for serial no. LX130-xxxx-xxxx



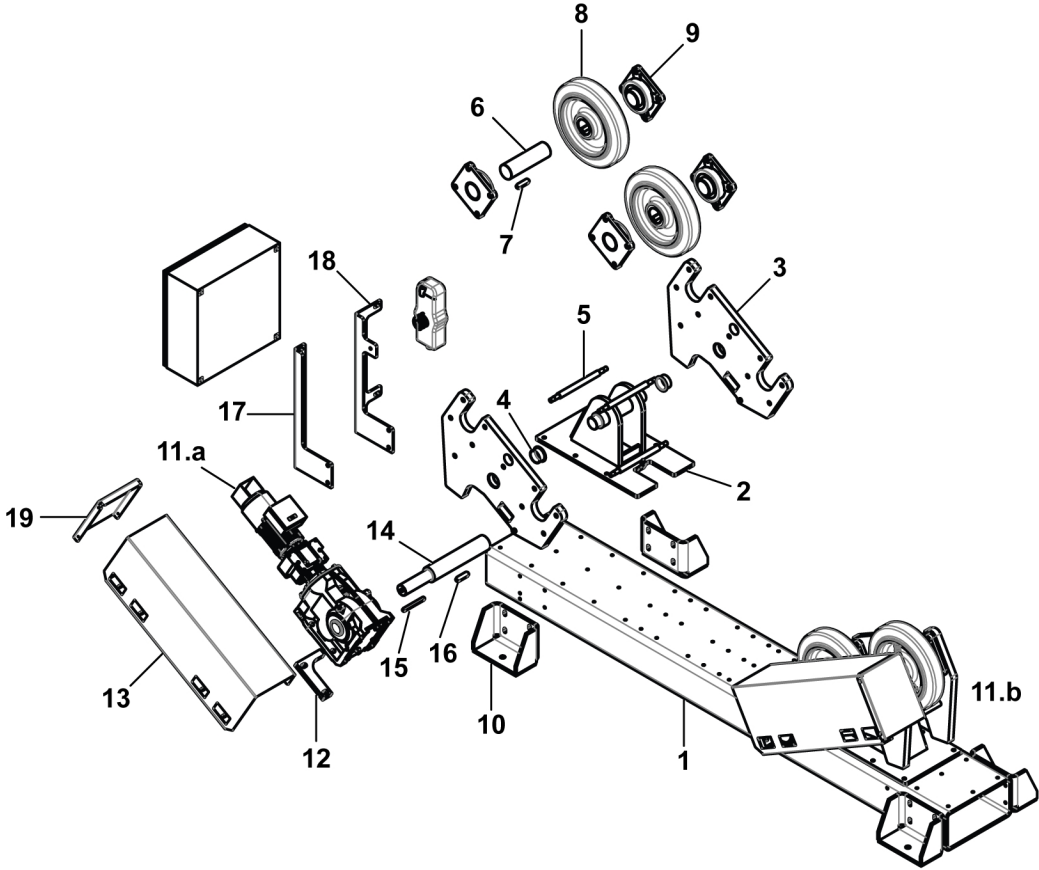
SPARE PARTS - ESI 15 Mechanical parts list - Idler section

Item	Qty	Ordering no.	Denomination	Notes
1	1	0909 043 001	Base frame	300×200×12.5 L=2790
2	2	0909 159 880	Roller stand	
3	4	0909 160 001	Side plate	
4	4	0909 173 005	Slide bearing with flange	
5	6	0909 390 001	Shaft kidney	
6	4	0909 163 001	Idler shaft	
7	4	0215 701 341	Key, wheel	14×9×63
8	4	0909 164 001	PU wheel	300×90
9	8	0909 162 001	Flange bearing	
10	4	0909 037 001	Side support	



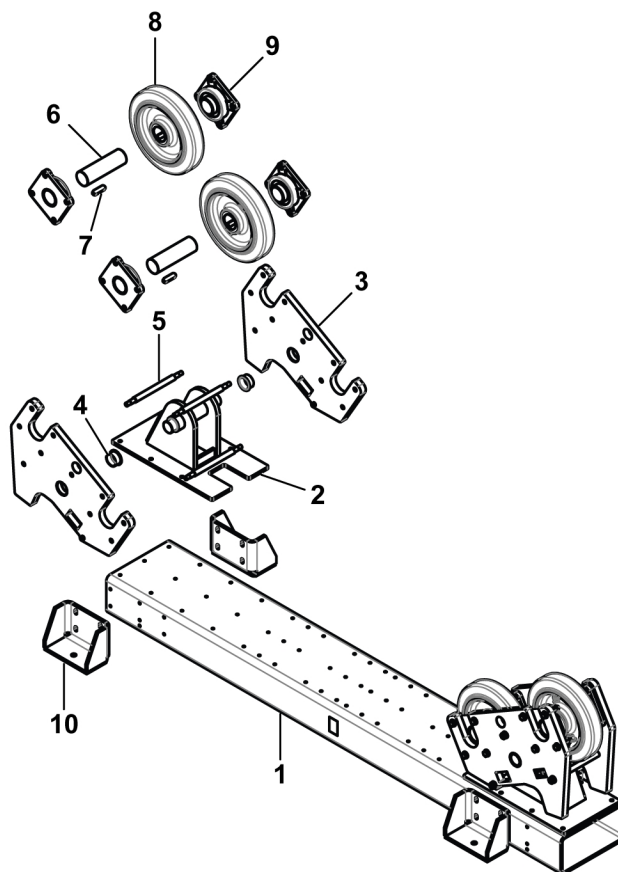
SPARE PARTS - ESD 30 Mechanical parts list - Drive section

Item	Qty	Ordering no.	Denomination	Notes
1	1	0909 035 001	Base frame	400×200×12.5 L=2790
2	2	0909 134 880	Roller stand	
3	4	0909 135 001	Side plate	
4	4	0909 173 014	Slide bearing with flange	
5	6	0909 386 001	Shaft kidney	
6	2	0909 132 001	Idler shaft	
7	2	0215 701 420	Key, wheel	20×12×70
8	4	0909 076 001	PU wheel	400x90
9	8	0909 136 001	Flange bearing	
10	4	0909 037 001	Side support	
11.a	1	0909 058 001	Gearmotor left	0.37 kW, Valid for serial no. 015-xxx-xxxx
	1	0909 362 001	Gearmotor left v2	0.37 kW, Valid for serial no. LX130-xxxx-xxxx
11.b	1	0909 058 002	Gearmotor right	0.37 kW, Valid for serial no. 015-xxx-xxxx
	1	0909 362 002	Gearmotor right v2	0.37 kW, Valid for serial no. LX130-xxxx-xxxx
12	2	0909 138 001	Torque stop	Valid for serial no. 015-xxx-xxxx
	2	0909 366 001	Torque stop v2	Valid for serial no. LX130-xxxx-xxxx
13	2	0909 042 001	Cover	Valid for serial no. 015-xxx-xxxx
	2	0909 358 001	Cover v2	Valid for serial no. LX130-xxxx-xxxx
13.2	2	0909 296 880	Bracket cover	Valid for serial no. LX130-xxxx-xxxx, Not shown in illustration
14	2	0909 133 001	Drive shaft	
15	2	0215 701 347	Key, gearmotor	14x9x125
16	2	0215 701 420	Key, wheel	20x12x70
17	1	0909 104 001	Bracket	
18	1	0909 117 001	Bracket	
19	2	0909 292 001	Cover end	Valid for serial no. 015-xxx-xxxx
	2	0909 367 001	Cover end v2	Valid for serial no. LX130-xxxx-xxxx



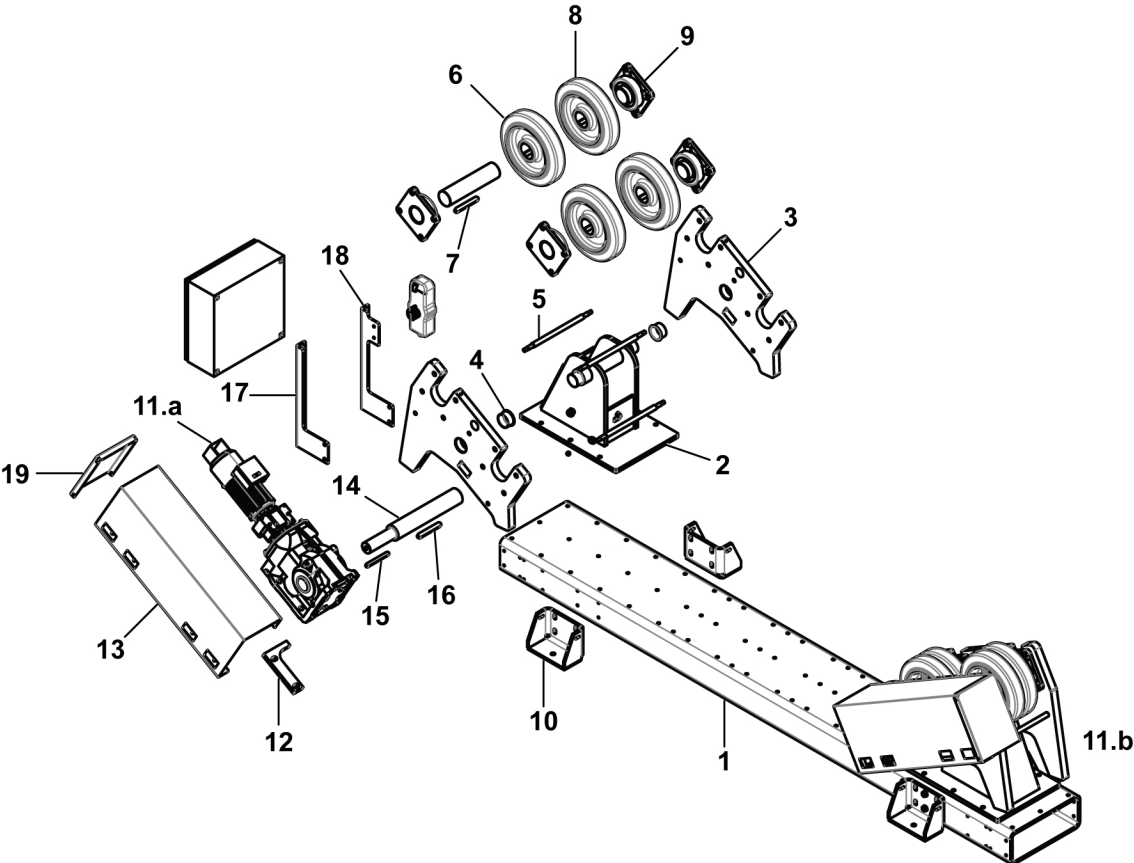
SPARE PARTS - ESI 30 Mechanical parts list - Idler section

Item	Qty	Ordering no.	Denomination	Notes
1	1	0909 035 001	Base frame	400×200×12.5 L=2790
2	2	0909 134 880	Roller stand	
3	4	0909 135 001	Side plate	
4	4	0909 173 014	Slide bearing with flange	
5	6	0909 386 001	Shaft kidney	
6	4	0909 132 001	Idler shaft	
7	4	0215 701 420	Key, wheel	20×12×70
8	4	0909 076 001	PU wheel	400×90
9	8	0909 136 001	Flange bearing	
10	4	0909 037 001	Side support	



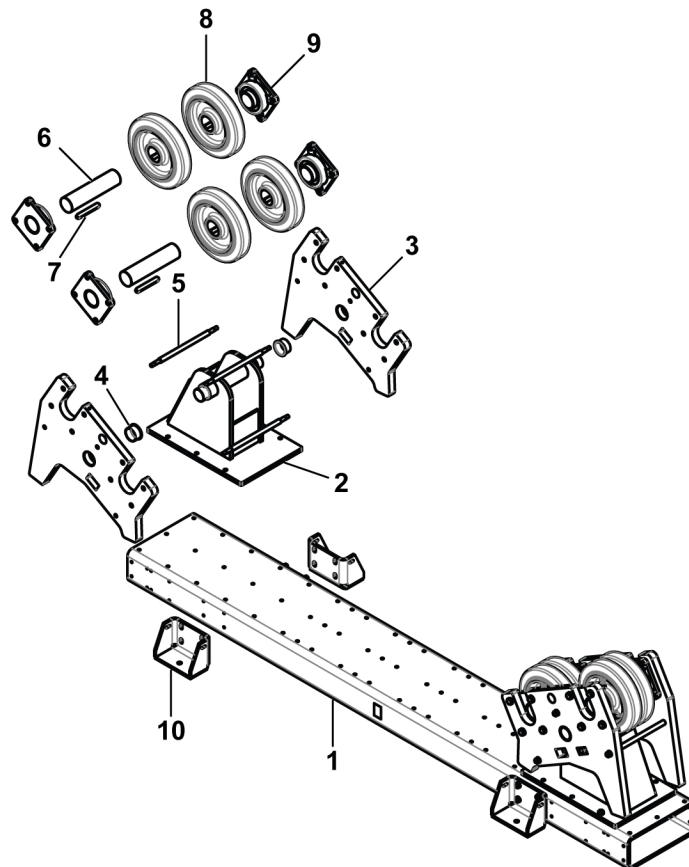
SPARE PARTS - ESD 60 Mechanical parts list - Drive section

Item	Qty	Ordering no.	Denomination	Notes
1	1	0909 387 001	Base frame	500×200×16 L=3650
2	2	0909 171 880	Roller stand	
3	4	0909 172 001	Side plate	
4	4	0909 173 021	Slide bearing with flange	
5	6	0909 389 001	Shaft kidney	
6	2	0909 174 001	Idler shaft	
7	2	0215 701 431	Key, wheel	22×14×160
8	4	0909 057 001	PU wheel	400×90
9	8	0909 137 001	Flange bearing	
10	4	0909 098 001	Side support	
11.a	1	0909 095 003	Gearmotor left	0.75 kW, Valid for serial no. 015-xxx-xxxx
	1	0909 363 003	Gearmotor left v2	0.75 kW, Valid for serial no. LX130-xxxx-xxxx
11.b	1	0909 095 004	Gearmotor right	0.75 kW, Valid for serial no. 015-xxx-xxxx
	1	0909 363 001	Gearmotor right v2	0.75 kW, Valid for serial no. LX130-xxxx-xxxx
12	2	0909 177 001	Torque stop	Valid for serial no. 015-xxx-xxxx
	2	0909 375 001	Torque stop v2	Valid for serial no. LX130-xxxx-xxxx
13	2	0909 110 001	Cover	Valid for serial no. 015-xxx-xxxx
	2	0909 373 001	Cover v2	Valid for serial no. LX130-xxxx-xxxx
13.2	2	0909 296 880	Bracket cover	Valid for serial no. LX130-xxxx-xxxx, Not shown in illustration
14	2	0909 176 001	Drive shaft	
15	2	0215 701 412	Key, gearmotor	18x11x160
16	2	0215 701 431	Key, wheel	22x14x160
17	1	0909 104 001	Bracket	
18	1	0909 118 001	Bracket	
19	2	0909 293 001	Cover end	Valid for serial no. 015-xxx-xxxx
	2	0909 376 001	Cover end v2	Valid for serial no. LX130-xxxx-xxxx



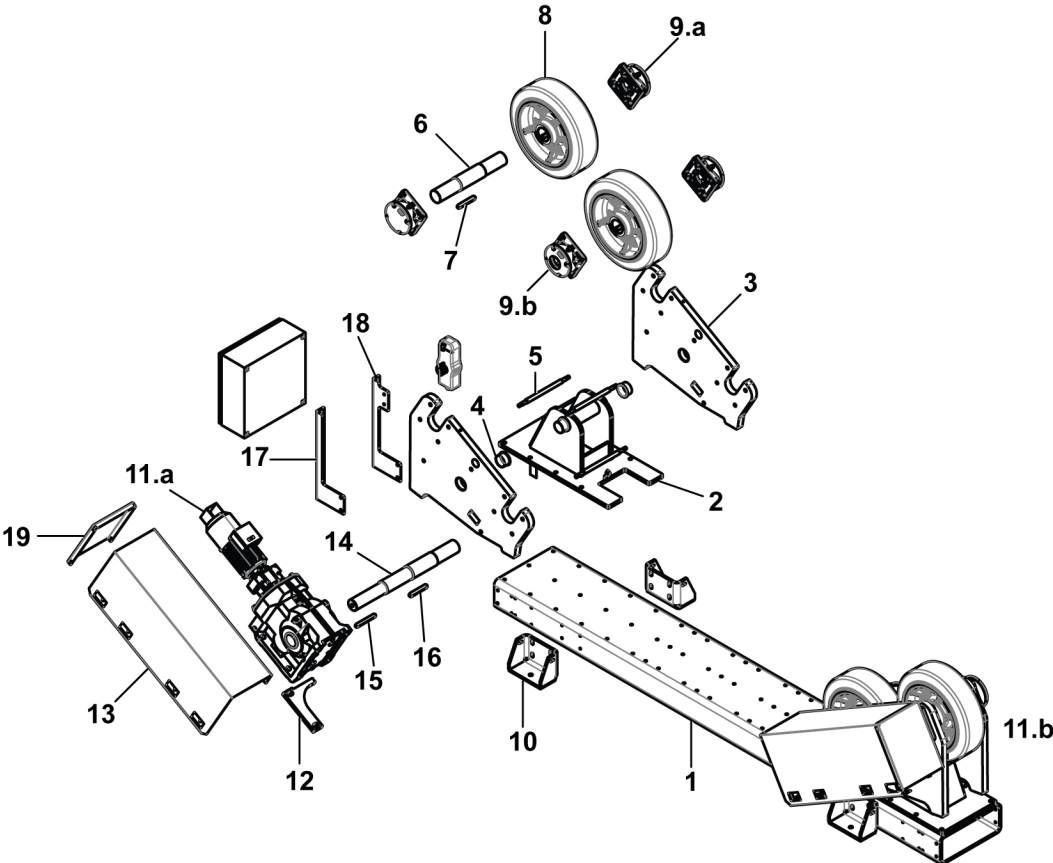
SPARE PARTS - ESI 60 Mechanical parts list - Idler section

Item	Qty	Ordering no.	Denomination	Notes
1	1	0909 387 001	Base frame	500×200×16 L=3650
2	2	0909 171 880	Roller stand	
3	4	0909 172 001	Side plate	
4	4	0909 173 021	Slide bearing with flange	
5	6	0909 389 001	Shaft kidney	
6	4	0909 174 001	Idler shaft	
7	4	0215 701 431	Key, wheel	22×14×160
8	4	0909 057 001	PU wheel	400×90
9	8	0909 137 001	Flange bearing	
10	4	0909 098 001	Side support	



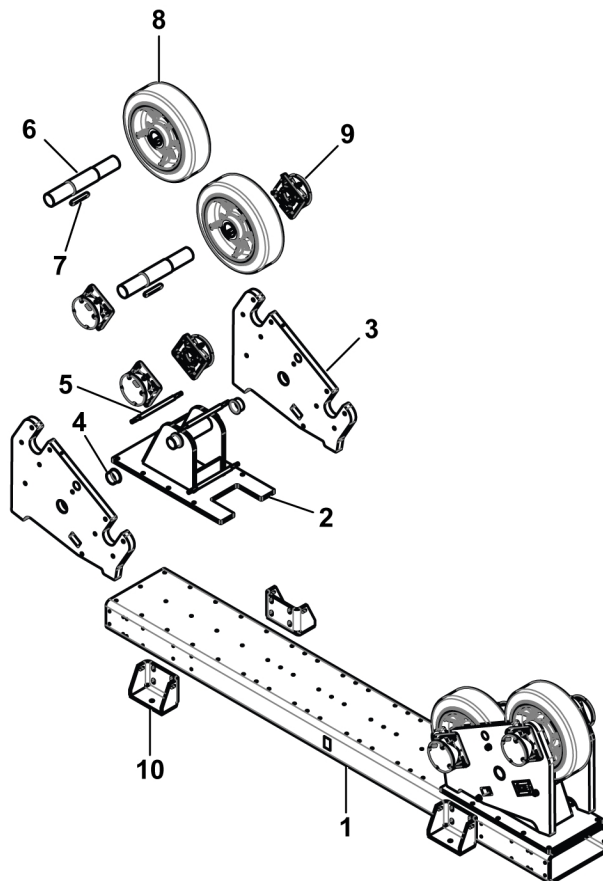
SPARE PARTS - ESD 90 Mechanical parts list - Drive section

Item	Qty	Ordering no.	Denomination	Notes
1	1	0909 387 001	Base frame	500×200×16 L=3650
2	2	0909 204 880	Roller stand	
3	4	0909 205 001	Side plate	
4	4	0909 173 021	Slide bearing with flange	
5	6	0909 388 001	Shaft kidney	
6	4	0909 206 001	Idler shaft	
7	2	0215 701 430	Key, wheel	22×14×140
8	4	0909 096 001	PU wheel	580×180
9.a	6	0909 210 880	Flange bearing	
9.b	2	0909 210 881	Flange bearing	
10	4	0909 098 001	Side support	
11.a	1	0909 060 001	Gearmotor left	1.00 kW, Valid for serial no. 015-xxx-xxxx
	1	0909 364 001	Gearmotor left v2	1.00 kW, Valid for serial no. LX130-xxxx-xxxx
11.b	1	0909 060 002	Gearmotor right	1.00 kW, Valid for serial no. 015-xxx-xxxx
	1	0909 364 002	Gearmotor right v2	1.00 kW, Valid for serial no. LX130-xxxx-xxxx
12	2	0909 209 001	Torque stop	Valid for serial no. 015-xxx-xxxx
	2	0909 379 001	Torque stop v2	Valid for serial no. LX130-xxxx-xxxx
13	2	0909 087 001	Cover	Valid for serial no. 015-xxx-xxxx
	2	0909 377 001	Cover v2	Valid for serial no. LX130-xxxx-xxxx
13.2	2	0909 296 880	Bracket cover	Valid for serial no. LX130-xxxx-xxxx, Not shown in illustration
14	2	0909 208 001	Drive shaft	
15	2	0215 701 428	Key, gearmotor	20×12×160
16	2	0215 701 430	Key, wheel	22×14×140
17	1	0909 104 001	Bracket	
18	1	0909 118 001	Bracket	
19	2	0909 294 001	Cover end	Valid for serial no. 015-xxx-xxxx
	2	0909 380 001	Cover end v2	Valid for serial no. LX130-xxxx-xxxx



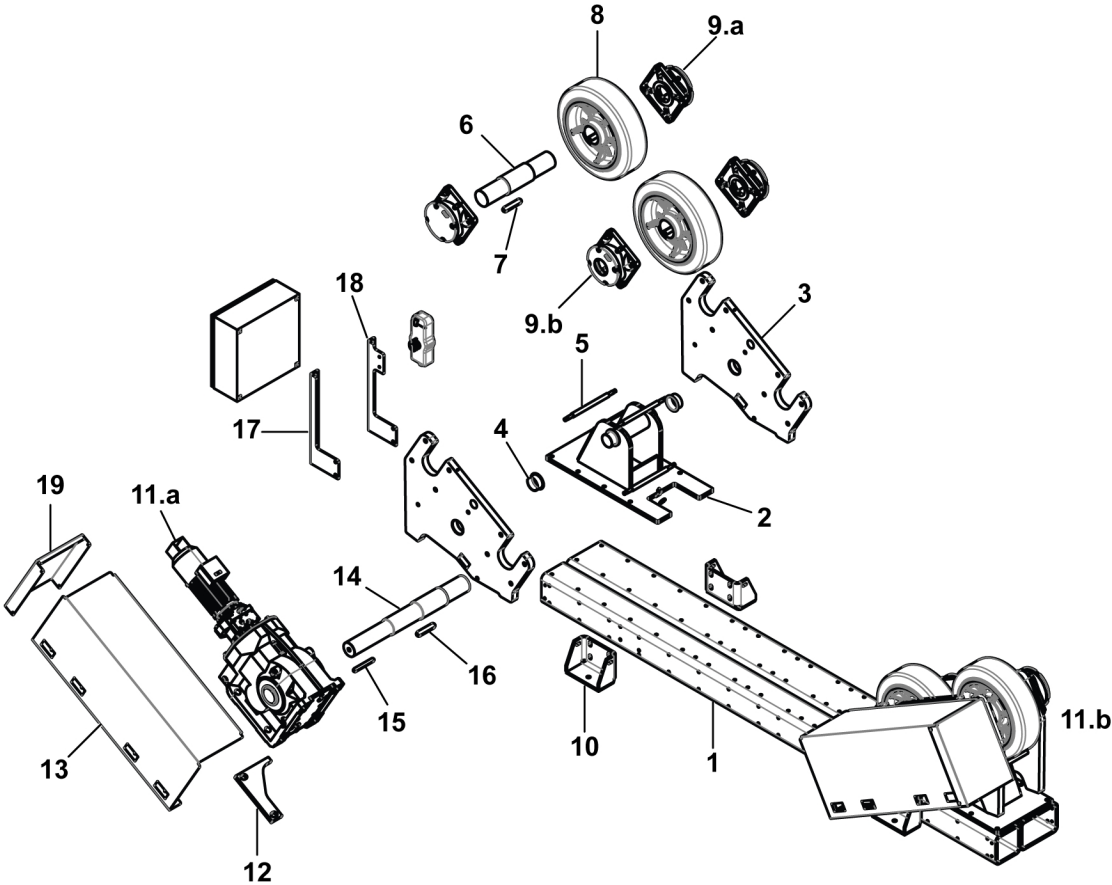
SPARE PARTS - ESI 90 Mechanical parts list - Idler section

Item	Qty	Ordering no.	Denomination	Notes
1	1	0909 387 001	Base frame	500×200×16 L=3650
2	2	0909 204 880	Roller stand	
3	4	0909 205 001	Side plate	
4	4	0909 173 021	Slide bearing with flange	
5	6	0909 388 001	Shaft kidney	
6	4	0909 206 001	Idler shaft	
7	4	0215 701 430	Key, wheel	22×14×140
8	4	0909 096 001	PU wheel	580×180
9	8	0909 210 880	Flange bearing	
10	4	0909 098 001	Side support	



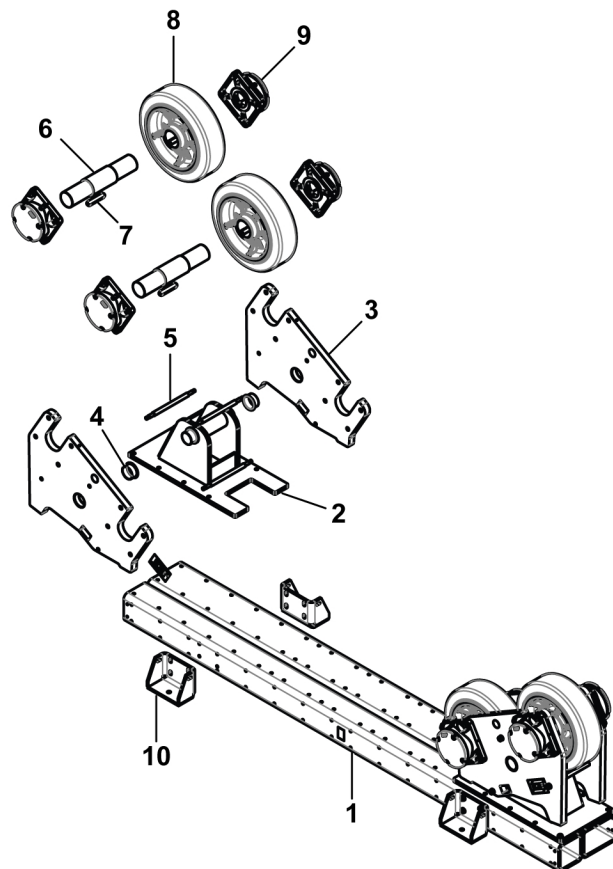
SPARE PARTS - ESD 120 Mechanical parts list - Drive section

Item	Qty	Ordering no.	Denomination	Notes
1	1	0909 387 001	Base frame	500×200×16 L=3650
2	2	0909 219 880	Roller stand	
3	4	0909 220 001	Side plate	
4	4	0909 173 025	Slide bearing with flange	
5	3	0909 391 001	Shaft kidney	
6	2	0909 221 001	Idler shaft	
7	2	0215 701 448	Key, wheel	28×16×140
8	4	0909 101 001	PU wheel	580×180
9.a	6	0909 211 880	Flange bearing	
9.b	2	0909 211 881	Flange bearing	
10	4	0909 098 001	Side support	
11.a	1	0909 105 001	Gearmotor left	1.50 kW, Valid for serial no. 015-xxx-xxxx
	1	0909 365 001	Gearmotor left v2	1.50 kW, Valid for serial no. LX130-xxxx-xxxx
11.b	1	0909 105 002	Gearmotor right	1.50 kW, Valid for serial no. 015-xxx-xxxx
	1	0909 365 002	Gearmotor right v2	1.50 kW, Valid for serial no. LX130-xxxx-xxxx
12	2	0909 224 001	Torque stop	Valid for serial no. 015-xxx-xxxx
	2	0909 383 001	Torque stop v2	Valid for serial no. LX130-xxxx-xxxx
13	2	0909 115 001	Cover	Valid for serial no. 015-xxx-xxxx
	2	0909 381 001	Cover v2	Valid for serial no. LX130-xxxx-xxxx
13.2	2	0909 296 880	Bracket cover v2	Valid for serial no. LX130-xxxx-xxxx, Not shown in illustration
14	2	0909 223 001	Drive shaft	
15	2	0215 701 441	Key, gearmotor	25×14×200
16	2	0215 701 448	Key, wheel	28×16×140
17	1	0909 104 001	Bracket	
18	1	0909 118 001	Bracket	
19	1	0909 295 001	Cover end	Valid for serial no. 015-xxx-xxxx
	1	0909 384 001	Cover end v2	Valid for serial no. LX130-xxxx-xxxx



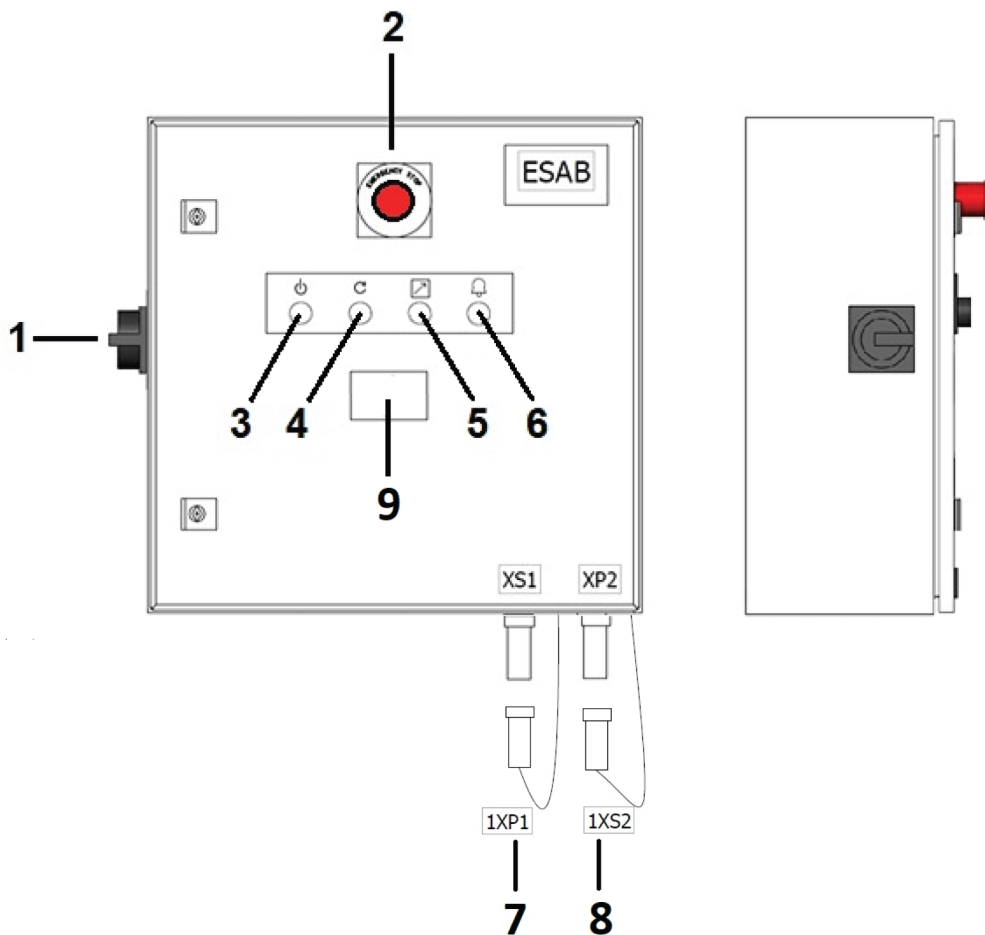
SPARE PARTS - ESI 120 Mechanical parts list - Idler section

Item	Qty	Ordering no.	Denomination	Notes
1	1	0909 387 001	Base frame	500×200×16 L=3650
2	2	0909 219 880	Roller stand	
3	4	0909 220 001	Side plate	
4	4	0909 173 025	Slide bearing with flange	
5	6	0909 391 001	Shaft kidney	
6	4	0909 221 001	Idler shaft	
7	4	0215 701 448	Key, wheel	28×16×140
8	4	0909 101 001	PU wheel	580×180
9	8	0909 211 880	Flange bearing	
10	4	0909 098 001	Side support	



SPARE PARTS - Electrical parts - Control cabinet

Item	Qty	Ordering no.	Denomination	Marking	Notes
1	1	0908 800 001	Mains switch	A1	3P 16A
2	1	0908 800 100	Emergency stop button	A30	
3	1	0908 800 111	Illuminated pushbutton, WHITE	A32	22MM 1NO
4	1	0908 800 115	Illuminated pushbutton, RED	A31	22MM 1NO
5	1	0908 800 114	Illuminated pushbutton, BLUE	A34	22MM 1NO
6	1	0908 800 113	Illuminated pushbutton, GREEN	A33	22MM 1NO
7	1	0909 530 950	Plug, male	1XP1	
8	1	0909 530 951	Plug, female	1XS2	
9	1	0900 500 887	Digital display with configuration	A35	Optional

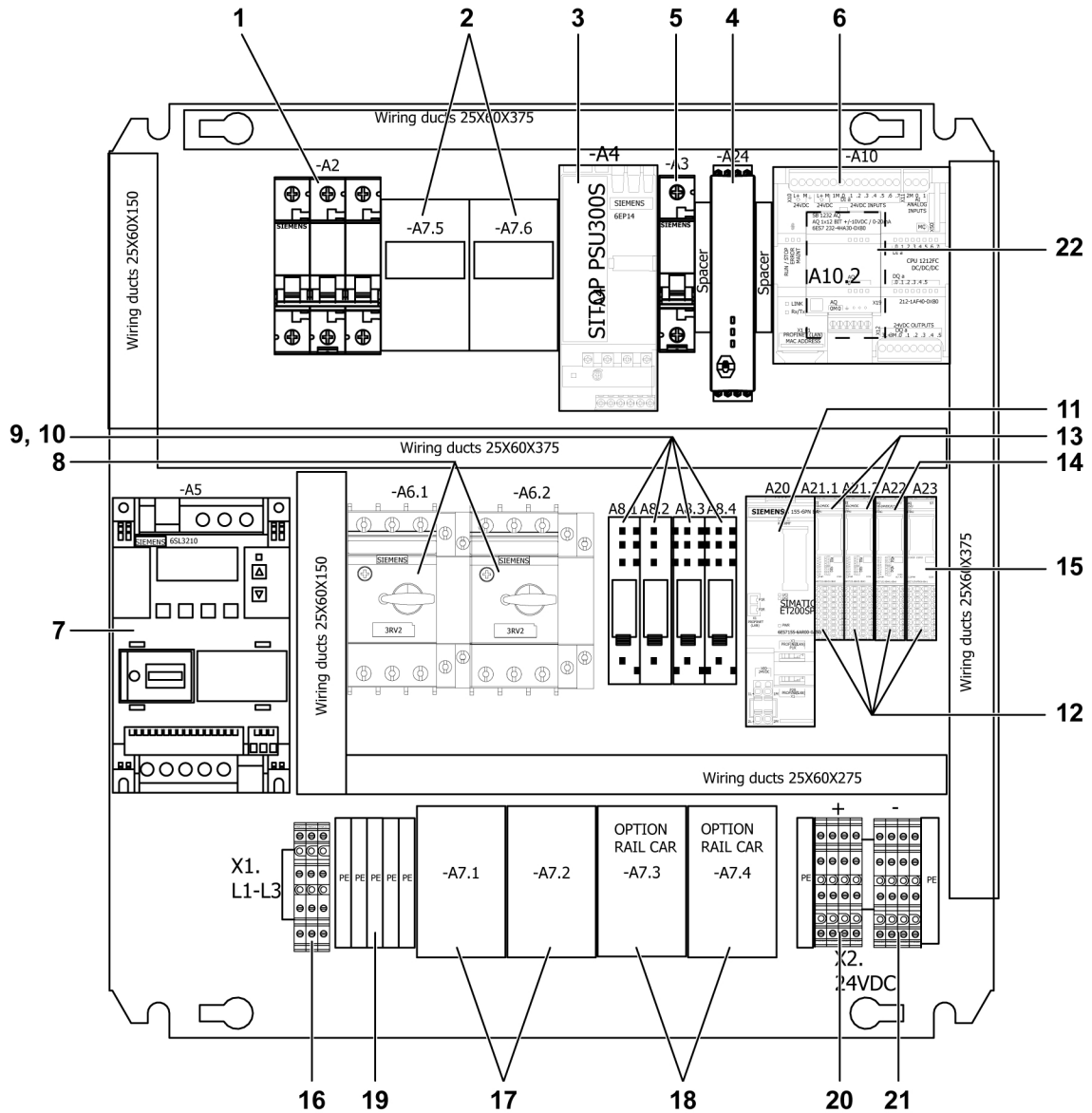


SPARE PARTS - Control cabinet

Item	Qty	Ordering no.	Denomination	Marking	Notes
1	1	0908 800 209	Circuit breaker	A2	3P 10A C
2	2	0805 586 002	Contacteur	A7.5 and A7.6	24 VDC
	2	0805 586 105	Contacteur block		
3	1	0908 800 400	Power supply DC	A4	24 VDC / 5 A, 3AC400
4	1	0451 385 108	Safety relay, SSR10	A24	24 VDC
5	1	0908 800 202	Circuit breaker	A3	1P 4A C
6	1	0909 552 885	CPU and software ESD 7.5	A10	
	1	0909 505 885	CPU and software ESD 15	A10	
	1	0909 506 885	CPU and software ESD 30	A10	
	1	0909 507 885	CPU and software ESD 60	A10	
	1	0909 508 885	CPU and software ESD 90	A10	
	1	0909 509 885	CPU and software ESD 120	A10	
7	1	0909 552 886	Inverter w. configuration ESD 7.5	A5	1.1 kW
	1	0909 505 886	Inverter w. configuration ESD 15	A5	0.55 kW
	1	0909 506 886	Inverter w. configuration ESD 30	A5	0.75 kW
	1	0909 507 886	Inverter w. configuration ESD 60	A5	1.1 kW
	1	0909 508 886	Inverter w. configuration ESD 90	A5	1.5 kW
	1	0909 509 886	Inverter w. configuration ESD 120	A5	2.2 kW
8	2	0908 800 304	Motor circuit breaker, ESD 7.5	A6.1 and A6.2	
	2	0908 800 302	Motor circuit breaker, ESD 15	A6.1 and A6.2	0.7-1.0 A
	2	0908 800 303	Motor circuit breaker, ESD 30	A6.1 and A6.2	0.9-1.25 A
	2	0908 800 304	Motor circuit breaker, ESD 60	A6.1 and A6.2	1.1-1.6 A
	2	0908 800 306	Motor circuit breaker, ESD 90	A6.1 and A6.2	1.8-2.5 A
	2	0908 800 307	Motor circuit breaker, ESD 120	A6.1 and A6.2	2.2-3.2 A
9	4	0452 116 008	Socket	A8.1, A8.2, A8.3, A8.4	
10	4	0452 116 004	Relay	A8.1, A8.2, A8.3, A8.4	5A/250A AC 5A/30V DC
11	1	0802 524 553	ProfiNet	A20	ET200SP
12	4	0802 524 556	Back plane module	A21 – A23	ET200SP
13	2	0802 524 562	Digital input module	A21.1 and A21.2	ET200SP
14	1	0802 524 575	DO 16X24VDC	A22	ET200SP
15	1	0802 524 589	AQ 2xU	A23	ET200SP
16	3	0802 083 005	Terminals	X1	L1, L2, L3
17	2	0805 586 002	Motor contactor, rollers	A7.1 and A7.2	24 VDC
18	2	0805 586 002	Motor Contactor, rail car (opt.)	A7.3 and A7.4	24 VDC

APPENDIX

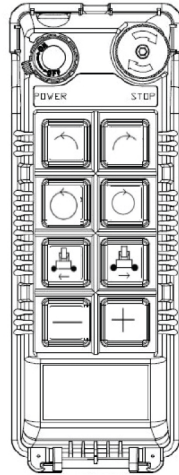
Item	Qty	Ordering no.	Denomination	Marking	Notes
19	1	0193 129 001	Earthing bar		
20	5	0802 083 085	Terminals	X2	+ 24 VDC
21	4	0802 083 085	Terminals	X2	0 VDC
22	1	0802 524 505	AO card, digital display	X10.2	If applicable



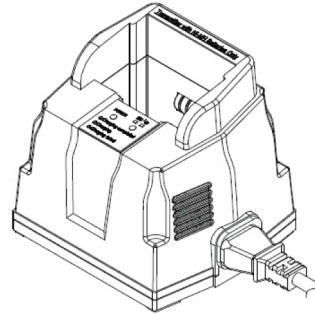
SPARE PARTS - Wireless control system

Item	Qty	Ordering no.	Denomination	Notes
1	1	0909 500 903	Complete transmitter unit	

Wireless remote-control pendant

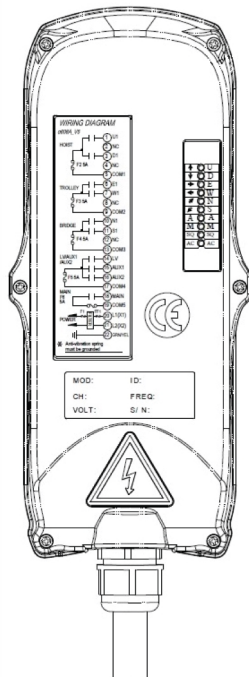


Charger

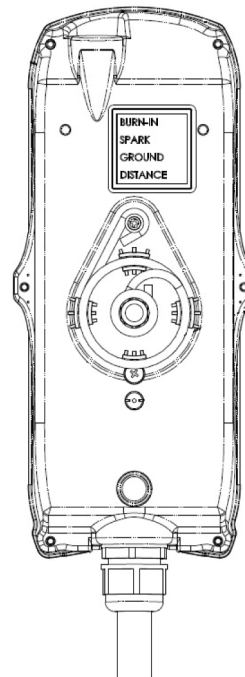


Receiver

FRONT VIEW



BACK VIEW





A WORLD OF PRODUCTS AND SOLUTIONS.



For contact information visit <http://esab.com>

ESAB AB, Lindholmsallén 9, Box 8004, 402 77 Gothenburg, Sweden, Phone +46 (0) 31 50 90 00

manuals.esab.com

